

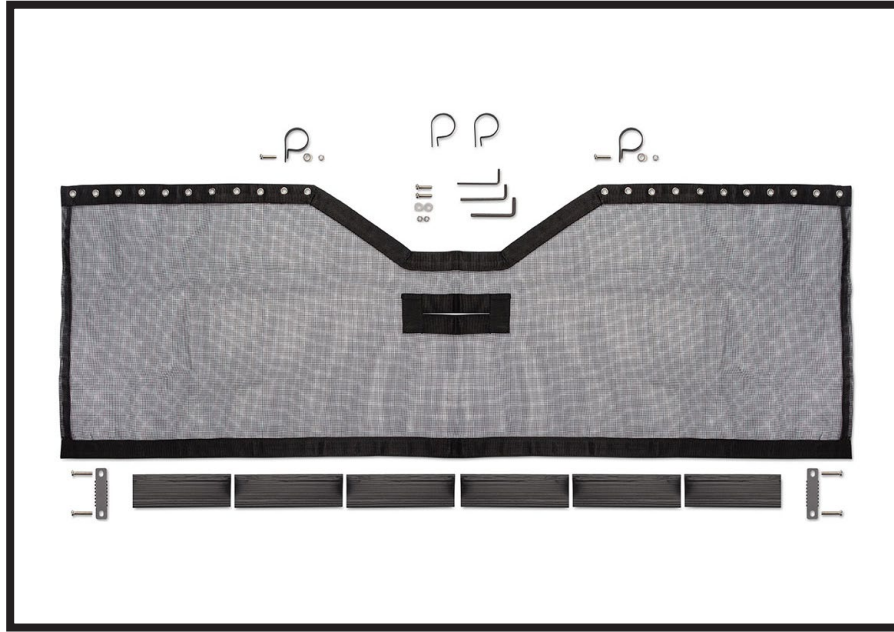


BX88430

Mud Flap Rock Screen

Installation Instructions

Serial Number




Mud Flap Rock Screen

33.5" wide x 17.7" deep and is 31.5" between the top corner eyelets

Attaches between the two Mud Flaps and eliminates damage from stones, gravel, small debris, tar, etc. while traveling.

Please read these Installation Instructions in their entirety prior to installing or operating this equipment.



CAUTION

Consumer assumes all risks associated with product performance after installation. Blue Ox™ Mud Flap Rock Screen will not protect everything and everyone from harm. Results may vary depending upon road surface and conditions, vehicle types, weather conditions, installation, and driving input. Please apply common sense to you expectations relating to product performance.

BX88430
Mud Flap Rock Screen
Installation Instructions

Important

Exhaust Systems

Note: Any Modifications to the factory installed exhaust system may void your manufacturer's warranty.

Car Washes

You must remove rock guard system before entering any drive-through car wash.

Prop 65

⚠ WARNING: This product can expose you to chemicals including acrylonitrile, which is known to the state of California to cause cancer, birth defects, or reproductive harm. For more information go to www.P65Warning.ca.gov.

Clearance

Center Hub Requires a Minimum of 1" Clearance.



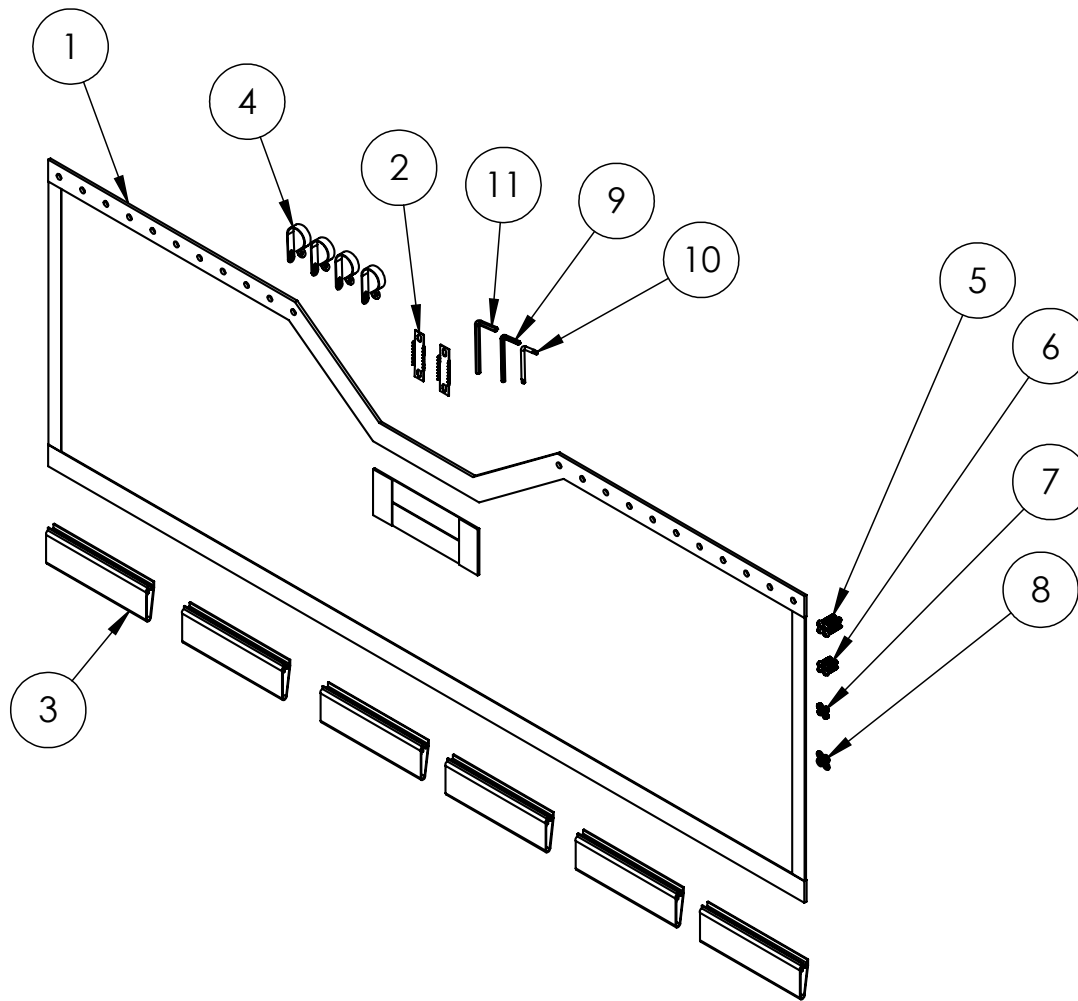
Bolt Torque Conversion Table

Inch-Pound (in-lbs)	Foot Pounds (ft-lbs)	Newton-Meters (N-m)	Kilogram-Centimeters (kgf-cm)
20	1.7	2.3	23
30	2.5	3.4	34
70	5.87	7.9	79
80	6.7	9.0	90
180	15	20	203
1500	125	169	1690

BX88430 Mud Flap Rock Screen Installation Instructions

Tools Required

- Safety Glasses
- Gloves
- Flathead Screwdriver
- Awl or Similar Tool
- Torque Wrench
- Utility Knife
- White Pencil or Chalk
- 8MM Socket
- 8MM Wrench
- 10MM Socket
- 10MM Wrench
- 13MM Socket
- 13MM Wrench



Item No.	Part No.	Description	Qty.
1.....	290-0652	Rock Screen	1
2.....	100-1439	Black Steel Tension Clamp.....	2
3.....	290-0650	Black Plastic Extrusion	6
4.....	290-0651	Black Plastic Loop Clamp.....	4
5.....	201-1166	M6 x 30MM Hex Bolt, Stainless Steel	4
6.....	201-1167	M5 x 20MM Phillips Bolt, Stainless Steel	4
7.....	202-0261	M5 Steel Nylon Locking Nut	4
8.....	203-0208	M6 Washer, Stainless Steel.....	4
9.....	229-1235	5MM Allen Wrench	1
10.....	229-1237	6MM Tamper Resistant Torx Wrench	1
11.....	229-1242	6MM Allen Wrench	1

Important:

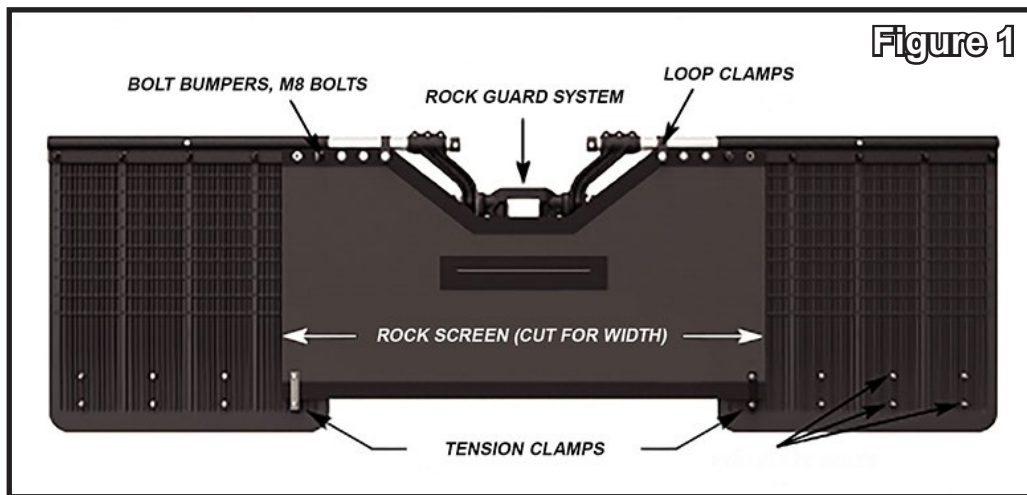
Use only genuine factory replacement parts on your baseplate. Do **NOT** substitute homemade or non-typical parts. If a bolt is lost or in need of replacement, for your safety and the preservation of your baseplate, be sure to use a replacement bolt of the same grade (In most cases it will be Grade 5, please reference the parts list above). Replacement parts may be ordered through Blue Ox®. Failing to follow and/or altering these installation instructions in either installation or required equipment will void the manufacturer's warranty. Towing behind a non-motorized vehicle will void the warranty.

BX88430
Mud Flap Rock Screen
Installation Instructions

Rock Screen Installation Instructions:

NOTE: BLUE OX ROCK SCREEN IS DESIGNED TO BE USED WITH THE BLUE OX MUD FLAP SYSTEM. FINALIZE WIDTH AND HEIGHT ADJUSTMENTS FOR THE BLUE OX MUD FLAP SYSTEM BEFORE INSTALLING THE BLUE OX ROCK SCREEN

1. Place the fully assembled Blue Ox Mud Flap System on a solid, flat surface, with the ridged back surface of the Mud Flaps facing up.
2. Locate the desired placement by placing the Rock Screen on the Mud Flap assembly, with the eyelets of the Rock Screen sitting directly over the M8 Flap Clamp Bolts, as shown in **Figure 1**.



3. Remove pertinent Bolt Bumpers from the M8 Flap Clamp Bolts using a flat head screwdriver, if in use.

NOTE: The Bolt Bumpers should never be used on a vehicle with rear-facing exhaust

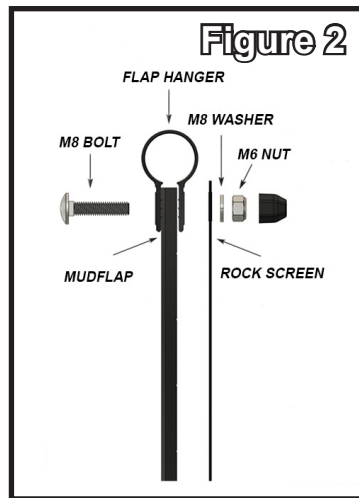
4. Remove the M8 Nylon Insert Hex Nuts and M8 Flat Washers from the Blue Ox Mud Flap System using a 13mm wrench or socket

NOTE: The width of the Blue Ox Rock Screen can be adjusted if desired by cutting the Rock Screen, it is not necessary to use all eyelets

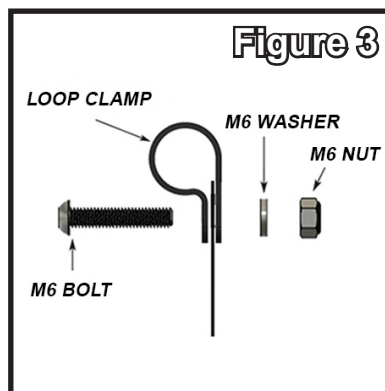
5. Line up the Rock Screen with the Blue Ox Mud Flap System by aligning the eyelets on the Rock Screen with the M8 Bolts as shown in **Figure 1**. (**NOTE:** the overall width of the Blue Ox Mud Flap System might need to be adjusted slightly to ensure a perfect fit for the Blue Ox Rock Screen)

BX88430
Mud Flap Rock Screen
Installation Instructions

6. Affix the Rock Screen to the Blue Ox Mud Flap System by 1st placing the Rock Screen over the M8 Bolts and then placing the M8 Flat Washers over the Rock Screen. Secure the assembly using the M8 Nylon Insert Hex Nuts, as shown in **Figure 2**. Repeat this step for remaining Flap Hanger Bolts.



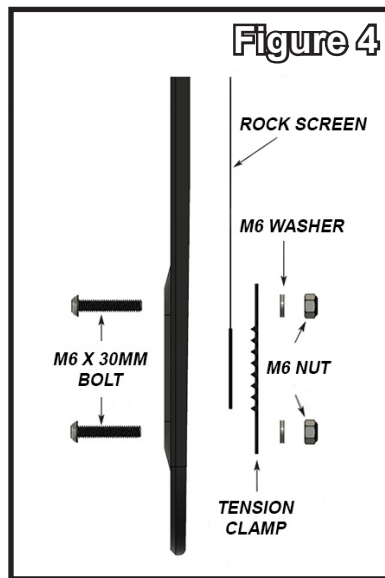
7. Replace the Bolt Bumpers, if in use.
8. If additional support for the Rock Screen is needed, assemble the Loop Clamps onto the Flap Support Rods as shown in **Figure 3**. The Rock Screen should go into the Loop Clamp. M5 nuts and bolts are provided for use with the Loop Clamps



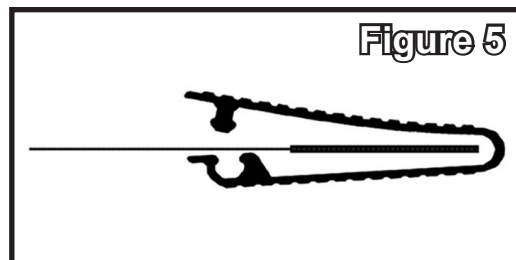
9. Determine the desired height of the Blue Ox Rock Screen. If the Mud Flaps are full height, proceed to Step 12.
10. If the Mud Flaps were adjusted for height, the Blue Ox Rock Screen must be adjusted to fit. Carefully roll up the Rock Screen from the bottom, folding over the nylon webbing. Repeat as necessary until the rolled-up Rock Screen is located between the Blue Ox Trim Plate Bolts, as shown in **Figure 1**.

BX88430
Mud Flap Rock Screen
Installation Instructions

11. Locate the desired locations for the Tension Clamps. The Tension Clamps will affix to the inner-most Trim Plate Bolts. Place the Tension Clamps in the desired locations and mark the locations of the upper Tension Clamp holes on the Rock Screen using a white pencil or chalk
12. Remove the pertinent M6 Nylon Insert Hex Nuts, M6 Flat Washer and M6 Trim Plate Bolts, as shown in **Figure 4**.



13. Using an awl or another sharp tool, carefully make holes in the Rock Screen large enough for an M6 bolt to fit through.
14. Assemble the Tension Clamps onto the Blue Ox Rock Screen and Mud Flap assembly as shown in **Figure 5**, using the included M6 x 30mm bolts.



15. Fully tighten all nuts. (30 in-lbs for the M8 nuts, 20 in-lbs for M6 nuts)
16. Finalize width of Blue Ox Mud Flap assembly by loosening the M6 Arm Clamp Bolts, adjusting the Flap Support Rods and finally tightening the M6 Arm Clamp Bolts to 70-80 in-lbs. For optimal performance and durability, the Blue Ox Rock Screen should be taut.

BX88430
Mud Flap Rock Screen
Installation Instructions

17. Assemble the black plastic Extrusions onto the bottom of the Blue Ox Rock Screen if desired, as shown in **Figure 5**. Snap the Extrusions over the Rock Screen by pressing firmly to secure.
18. The Blue Ox Mud Flap and Rock Screen system is now ready to use. For optimum service and life, check components and the torque on all bolts prior to each use.

BX88430
Mud Flap Rock Screen
Installation Instructions

Mud Flap Systems

BX88420	Mud Flap System, 2" Hitch
BX88421	Mud Flap System, 2-1/2" Hitch

Mud Flap System Accessory Kits

BX88429	Kit, Mud Flap Exhaust Outlet 2 Pack
BX88431	Kit, Mud Flap Heat Shield
BX88435	Kit, Mud Flap 3" Center Hub
BX88436	Kit, Mud Flap Wall Mount
BX88437	Kit, Mud Flap Trim Plates

CUSTOMER SERVICE COMMITMENT

Blue Ox® is committed to providing you with exceptional customer care throughout your lifetime with our products. Our team is here to assist you with any questions you may have regarding the performance of your product. Simply call (402) 385-3051 and you can speak with our technical service team.

Additionally, please visit our website to see which rallies our team will be attending. For a nominal fee, our service technician will service your towing system to ensure it's in proper working condition. Also, as a commitment to our customers, should you visit our factory, you can stay at our full service Blue Ox® campground at no charge along with enjoying a factory tour.

Again, thank you for being our customer and for the confidence you have shown in the performance of our products. It is because of customers like you we enjoy the success we have today.

© 2022 Blue Ox
One Mill Road, Industrial Park
Pender, Nebraska 68047
Phone: (402) 385-3051
Fax: (402) 385-3360
www.blueox.com