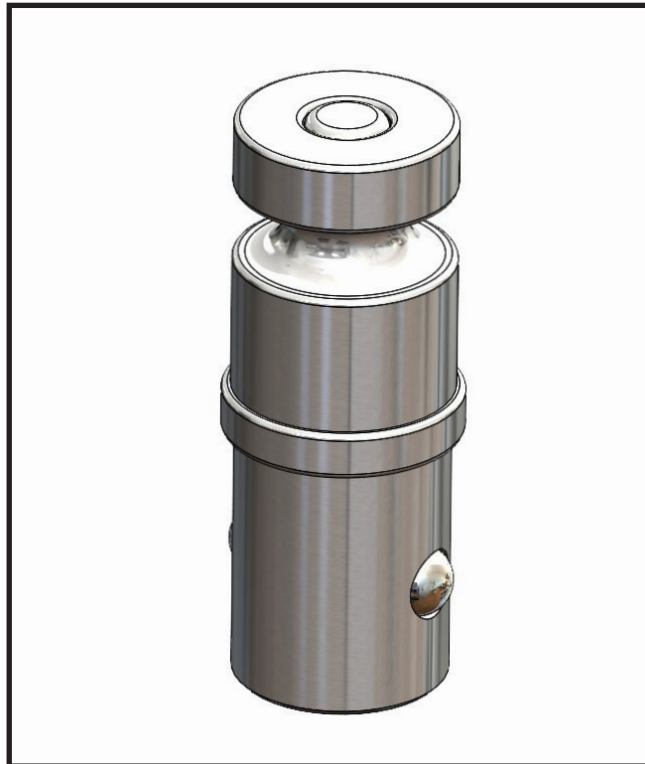




# **BXR9009**

## Kit, OEM GN to Blue Ox Fifth Wheel Adapter Installation Instructions



**Please read these Installation Instructions in their entirety prior to installing or operating this equipment.**

**Have an Adventure**

**[blueox.com](http://blueox.com) 800-228-9289**

**[facebook.com/blueoxproducts](https://www.facebook.com/blueoxproducts)**

# BXR9009

## Kit, OEM GN to Blue Ox Fifth Wheel Adapter

### Installation Instructions

### Installation

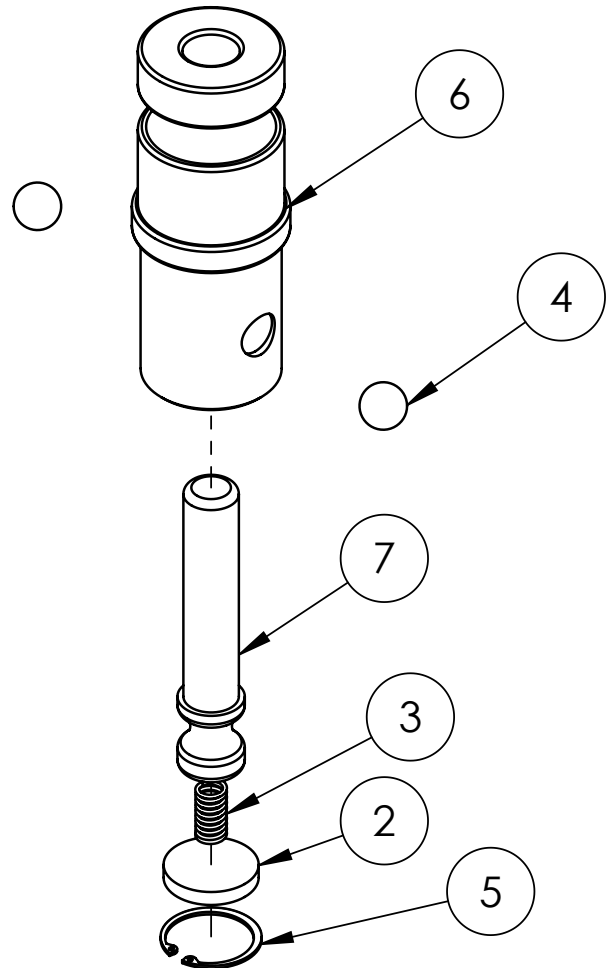
1. Press button on top of adapter.
2. Insert adapter into the OEM Gooseneck housing.
3. Release button.

**Note:** Pull on adapter to ensure it is fully locked in OEM Gooseneck before use.

4. Install Blue Ox BXR2100 Fifth Wheel Hitch.

### Unhooking/Removal

1. Remove the BXR2100 from adapter.
2. Press button on top of adapter.
3. Remove adapter from OEM Gooseneck housing.



Item No.	Part No.	Description	Qty.
1.....	63-4978(not shown) .....	Manual Package .....	1
2.....	190-0254.....	1-1/2" DIA. x 1/4" L. Spring Retainer.....	1
3.....	222-0191.....	1/2" OD x 1" L. x .062" Wire DIA Compression Spring, SS....	1
4.....	229-1153 .....	3/4" DIA 440C Ball, SS.....	2
5.....	229-1233 .....	1-1/2" ID Internal Retaining Ring, YZP.....	1
6.....	299-0922 .....	GN to 5th Wheel OEM Adapter Shank, ZP .....	1
7.....	299-0923 .....	OEM Adapter Push Ball Lock Shaft, ZP .....	1

## WARNING

Failure to read and follow these instructions could result in separation of the trailer from the truck, causing property damage, loss of towed vehicle, personal injury or death.

# **BXR9009**

## Kit, OEM GN to Blue Ox Fifth Wheel Adapter

### Installation Instructions

#### **CUSTOMER SERVICE COMMITMENT**

Blue Ox® is committed to providing you with exceptional customer care throughout your lifetime with our products. Our team is here to assist you with any questions you may have regarding the performance of your product. Simply call (402) 385-3051 and you can speak with our technical service team.

Additionally, please visit our website to see which rallies our team will be attending. For a nominal fee, our service technician will service your towing system to ensure it's in proper working condition. Also, as a commitment to our customers, should you visit our factory, you can stay at our full service Blue Ox® campground at no charge along with enjoying a factory tour.

Again, thank you for being our customer and for the confidence you have shown in the performance of our products. It is because of customers like you we enjoy the success we have today.



© 2022 Blue Ox  
One Mill Road, Industrial Park  
Pender, Nebraska 68047  
Phone: (402) 385-3051  
Fax: (402) 385-3360  
[www.blueox.com](http://www.blueox.com)