



BXR9007

Kit, Fifth Wheel Lift Tool Installation Instructions



Please read these Installation Instructions in their entirety prior to installing or operating this equipment.

Have an Adventure

blueox.com 800-228-9289

[facebook.com/blueoxproducts](https://www.facebook.com/blueoxproducts)

BXR9007

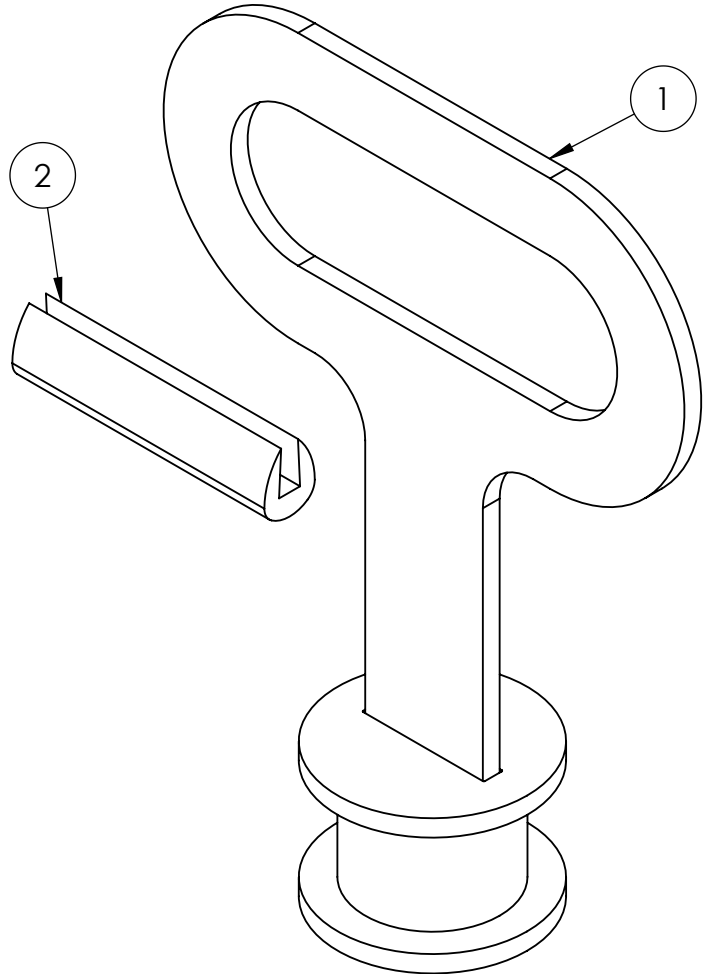
Kit, Fifth Wheel Lift Tool

Installation Instructions

Installation

1. Remove locking pin from fifth wheel hitch handle.
2. Pull handle outward.
3. Turn handle clockwise till in the open position. Handle will remain in this position until lift tool is installed.
4. Place lift tool in hitch head.
5. Once hitch and lift tool are engaged, turn handle counter clockwise and reinstall lock pin.

Note: Pull on lift tool to ensure that tool is fully locked in the hitch head before use.



Item No.	Part No.	Description	Qty.
1	61-8585	5th Wheel Lift Tool	1
2	150-0122	1/4" W x 5/8" H, U-Profile, 3-3/4" Rubber Trim	1

WARNING

Failure to read and follow these instructions could result in separation of the lift tool from the hitch head, causing personal injury.

BXR9007

Kit, Fifth Wheel Lift Tool

Installation Instructions

CUSTOMER SERVICE COMMITMENT

Blue Ox® is committed to providing you with exceptional customer care throughout your lifetime with our products. Our team is here to assist you with any questions you may have regarding the performance of your product. Simply call (402) 385-3051 and you can speak with our technical service team.

Additionally, please visit our website to see which rallies our team will be attending. For a nominal fee, our service technician will service your towing system to ensure it's in proper working condition. Also, as a commitment to our customers, should you visit our factory, you can stay at our full service Blue Ox® campground at no charge along with enjoying a factory tour.

Again, thank you for being our customer and for the confidence you have shown in the performance of our products. It is because of customers like you we enjoy the success we have today.



© 2022 Blue Ox
One Mill Road, Industrial Park
Pender, Nebraska 68047
Phone: (402) 385-3051
Fax: (402) 385-3360
www.blueox.com