



Strong As An Ox™

BX1954 Installation Instructions 2002 Dodge Stratus R/T

Serial No.

The front fascia, metal bumper and horn bracket are removed for baseplate installation. Drilling is required. There is minor trimming to air dam and lower grill opening. The BX8869 is available for the vehicle. Attachment Tabs are 23 inches center to center and a height of 13 inches.



1. Using the 10MM socket, remove the five metric bolts from the top side of fascia.



3. Remove one phillips head push pin from the bottom side center of fascia. Using the needle nose pliers, remove one center clip push pin, pull pin down and set aside.



5. Remove two metric bolts from the bottom side of frame rails using the 14MM socket, both sides. Pull metal bumper forward and set aside.



2. Remove three phillips head push pins just forward of front tires, in wheel well, both sides.



4. Just inside wheel well, on fascia's corner, remove two metric bolts with the 10MM socket, pull fascia forward and set aside.



6. Using the 12MM socket, remove one metric bolt from horn bracket on driver's side. Relocate horn bracket straight back on frame rail approximately 1' to existing holes with a nut welded to the inside of the frame.



Strong As An Ox™



7. Using the chisel, remove the nut welded to the inside of the frame where horn bracket originally attached.



9. While maintaining a level position with the bottom of frame, hold item 2 up as far as possible, 1/4" back from frame end. Using item 2 as a template, drill holes with the 13/32" drill bit, both sides.

11. Reinstall metal bumper. Remove two phillips head screws from fascia's lower grill opening, pull grill forward and set aside, both sides. Reinstall fascia and align lower grill with opening. Trim as needed, passenger's side shown.

12. The dimensional variations between otherwise identical cars can be considerable. While the location and size of the holes in the baseplate were designed to allow for easy installation, it may be necessary to file a hole slightly to allow a bolt to clear.

13. Install the tow bar and safety cables according to the instructions included in their packages.

14. Do **not** substitute other devices if the tow bar pin and clip are lost.

15. **DEALER OR INSTALLER: BE CERTAIN THE USER RECEIVES THE INSTRUCTION SHEET.**



8. Cut air dam about 3 1/4" back and 3" up on both sides to open area for baseplate.



10. Insert item 3 into frame end to align with drilled holes and hold items 1 and 2 to align with drilled holes, both sides. Install items 4 and 5 on both sides, tighten all bolts. **Be sure and use loctite on all bolts before tightening. Tighten all bolts according to torque chart in General Instruction Sheet.**





Strong As An Ox™

Tools Required

9/16" Socket
Needle Nose Pliers
13/32" Drill Bit
Utility Knife

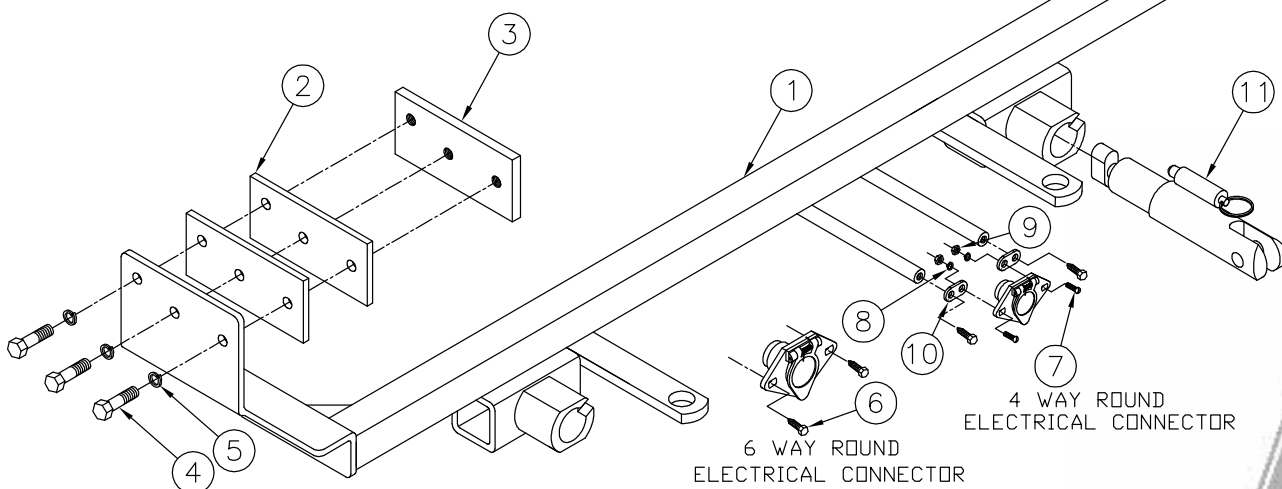
Loctite
12MM Socket
Phillips Screw Driver

10MM Socket
14MM Socket
Flat Chisel

Parts List

Ref. No.	Qty.	Part No.	Description
1	1	61-5867	Weldment, Base Plate, BX1954
2	4	102-6378	Spacer Plate, BX1954
3	2	102-6379	Backing Plate, THRD, BX1954
4	6	201-0440	3/8-16 x 1 1/2 Bolt, Grd. 5, ZP
5	6	203-0010	3/8 Lock Washer, ZP
6	2	201-0979	#12-14 x 1" Self Drilling Screw, ZP
7	2	201-0192	#10-32 x 1/2 Slot, Rd. Hd. Screw
8	2	203-0054	#10 Lock Washer
9	2	202-0047	#10-32 Hex Nut
10	2	101-5822	Adapter, 4 Way Connector
11	2	62-3468	Attachment Tab, SB/ SF, 1 Hole
	2	226-0046	Baseplate Safety Cable, 36" CL III (Not Shown)
	2	229-0359	Quicklink, 3/8, ZP (Not Shown)

Location for the BX8869 on the passenger's side tail light assembly.



IMPORTANT: Use only genuine factory replacement parts on your Base Plate. Do not substitute homemade or nontypical parts. If a bolt is lost or in need of replacement, for your safety and the preservation of your Base Plate, be sure to use a replacement bolt of the same grade (Usually Grade 5, refer to parts list). Repair parts may be ordered through your nearest **Blue Ox** dealer or distributor.

© 2003 Blue Ox Division, Automatic Equipment Mfg. Co. • One Mill Road, Industrial Park
Pender, Nebraska 68047 • Phone 402-385-3051 • Fax 402-385-3360 • www.blueox.us

General Information

1. Ensure that your product(s) are registered online at www.blueox.com. It is crucial to register your product(s) so that you may be alerted of product offerings, updates, upgrades, maintenance and safety bulletins, and/or recalls.
2. **It is the owner's responsibility to inspect all towing equipment for cracked welds, missing or worn parts and loose bolts before each towing trip.** Be sure to use Loctite® Red on all bolts and tighten to the recommended specifications.
3. **It is the owner's responsibility to hook up all towing equipment per manufacturer's instructions/recommendations.**
4. Remove the attachment tabs when not in use (if applicable).

Notice To Baseplate Installer

1. It is YOUR responsibility to watch for:

- Oil cooler and air conditioner lines
- Electrical wires and hoses
- Missing parts or attaching points on the frame

** If the baseplate is improperly installed and is against a wire or hose, it could cause fluid leaks or electrical shorts some time after the actual baseplate installation.

Permanent Baseplate Safety Cable Installation

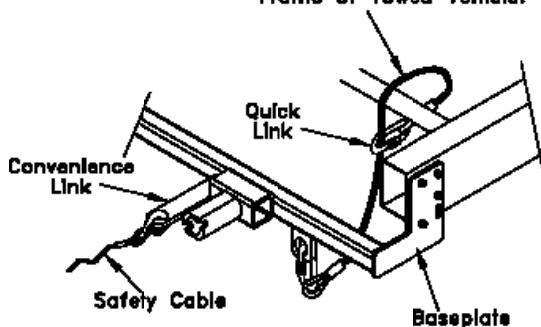
Permanent baseplate safety cables are strongly recommended when towing a vehicle with a tow bar. The principle function of the permanent baseplate safety cables is to prevent the towed vehicle from breaking loose in the event the connection between the frame of the towed vehicle and the baseplate fails or becomes disconnected. The cables must be connected from the baseplate to the frame rail or cross member of the vehicle's frame. The illustrations below show the possible arrangements recommended by Blue Ox®. Each permanent baseplate safety cable must have an adequate weight rating for the towing system. The weight rating of the two (2) cables together will not qualify.

Do not mount the permanent baseplate safety cables against wires, hoses or brake lines.

These permanent baseplate safety cables should remain installed as long as the baseplate is installed on the vehicle. Permanent baseplate safety cables are to be used in conjunction with, and NOT a replacement for legally required safety cables attaching the towed vehicle to the towing vehicle.

OPTION #1

Permanent Baseplate Safety Cables to Cross Member or Frame of Towed Vehicle.



OPTION #2

Permanent Baseplate Safety Cables to Cross Member or Frame of Towed Vehicle.

