



BX2129 Installation Instructions 1997-99 Mercury Tracer

Utilization of Blue Ox baseplates with any tow bar not approved by Automatic Equipment Mfg. Co. invalidates the limited warranty.

Installation of this baseplate requires removing the plastic belly pan and trimming the plastic around the vehicle's tie down brackets.

1. Read the General Instruction Sheet included with this baseplate.
2. Under the front corners of the car there is a stamped metal bracket that protrudes down with a slot at the bottom. These are called the tie down brackets. The baseplate mounts to the outside of the tie down brackets and to the center engine support bolts, using ten bolts, eight of which are supplied with the baseplate.
3. There are three pieces of plastic bolted to the bottom of the car that form a belly pan under the engine. Remove all three of these pieces to allow access to the tie down brackets.
4. Bolt the side mounts (Items 1 and 2) provided with the baseplate to the tie down brackets, place the spacers between the side mounts and the tie down brackets. The 10mm x 30mm bolts, flat and lock washers hold the side mount to the frame. The 10mm x 35mm bolts, nuts, flat and lock washers hold the side mount to the tie down bracket. Apply Loctite to these bolts, but do not tighten yet.
5. Using a jack, apply up pressure to the bottom of the center engine support beam. Raising the body of the car a couple of inches should be sufficient. With the jack in place, remove the two bolts holding the support to the frame.
6. Let the jack down until there is about a 1/4" gap between the frame and the engine support. Slide the center mount extension plate between the frame and the engine support and replace the two bolts removed in Step 5, but do not tighten.
7. Using the 1/2"-13 x 1 1/2" bolts, nuts, flat and lock washers, align the base tube assembly (Item 3) to the side plates and start the bolts, also align the extension plate (Item 14) to the center plate on the tube assembly. Use the 1/2"-13 x 1 1/4" nut, bolt and lock washer to connect the two center plates. The attachment tabs should be facing forward on the tube assembly. After all bolts align, tighten them secure. Be sure to use Loctite.
8. The dimensional variations between otherwise identical cars can be considerable. While the location and size of the holes in the baseplate were designed to allow for easy installation, it may be necessary to file a hole slightly to allow a bolt to clear.
9. With the baseplate is completely installed, remove the jack and replace the plastic belly pan. The plastic around the tie down brackets will need to be trimmed to allow for the baseplate side mount.
10. Install the tow bar and safety cables according to the instructions included in their packages.
11. Do not substitute other devices if the tow bar pin and clip are lost.
12. **DEALER OR INSTALLER: BE CERTAIN THE USER RECEIVES THE INSTRUCTION SHEET.**

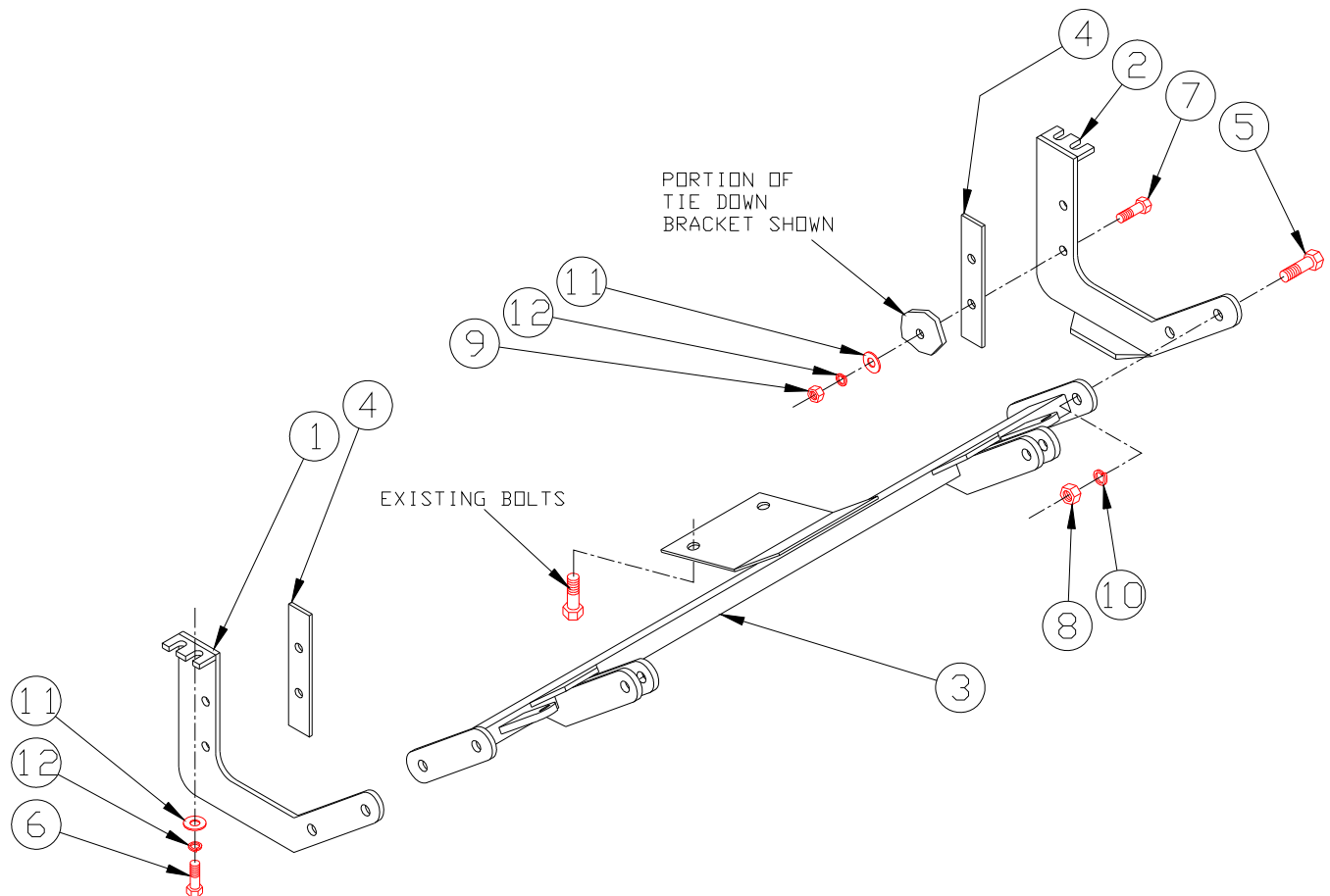
Automatic

Tools Required

10mm Socket	10mm Wrench	Floor Jack
3/4" Socket	3/4" Wrench	Loctite Blue
17mm Wrench	10" long ext. sockets	Utility Knife

Parts List

Ref. No.	Qty.	Part No.	Description
1	1	61-4934	Weldment, Side Mount, P-Side
2	1	61-4935	Weldment, Side Mount, D-Side
3	1	61-3787	Weldment, Base Tube, BX2112
4	2	102-3299	Flat, Spacer
5	4	201-0051	1/2-13 x 1 1/2 Hex Bolt, Grade 5
6	4	201-0422	10mm-1.25 x 30mm Hex Bolt, Grade 8.8
7	4	201-0423	10mm-1.25 x 35mm Hex Bolt, Grade 8.8
8	8	202-0005	1/2-13 Hex Nut
9	4	202-0119	10mm-1.25 Hex Nut
10	6	203-0012	1/2 Lock Washer
11	8	203-0103	10mm Flat Washer
12	8	203-0104	10mm Lock Washer
	1	101-5616	Extension Plate, Center Mount (Not Shown)
	2	201-0011	1/2-13 x 1 1/4 Bolt, Hex Grd 5 (Not Shown)
	2	226-0046	Baseplate Safety Cable, 36" CL III (Not Shown)
	2	229-0359	Quicklink, 3/8, ZP (Not Shown)



General Information

1. Ensure that your product(s) are registered online at www.blueox.com. It is crucial to register your product(s) so that you may be alerted of product offerings, updates, upgrades, maintenance and safety bulletins, and/or recalls.
2. **It is the owner's responsibility to inspect all towing equipment for cracked welds, missing or worn parts and loose bolts before each towing trip.** Be sure to use Loctite® Red on all bolts and tighten to the recommended specifications.
3. **It is the owner's responsibility to hook up all towing equipment per manufacturer's instructions/recommendations.**
4. Remove the attachment tabs when not in use (if applicable).

Notice To Baseplate Installer

1. It is YOUR responsibility to watch for:

- Oil cooler and air conditioner lines
- Electrical wires and hoses
- Missing parts or attaching points on the frame

** If the baseplate is improperly installed and is against a wire or hose, it could cause fluid leaks or electrical shorts some time after the actual baseplate installation.

Permanent Baseplate Safety Cable Installation

Permanent baseplate safety cables are strongly recommended when towing a vehicle with a tow bar. The principle function of the permanent baseplate safety cables is to prevent the towed vehicle from breaking loose in the event the connection between the frame of the towed vehicle and the baseplate fails or becomes disconnected. The cables must be connected from the baseplate to the frame rail or cross member of the vehicle's frame. The illustrations below show the possible arrangements recommended by Blue Ox®. Each permanent baseplate safety cable must have an adequate weight rating for the towing system. The weight rating of the two (2) cables together will not qualify.

Do not mount the permanent baseplate safety cables against wires, hoses or brake lines.

These permanent baseplate safety cables should remain installed as long as the baseplate is installed on the vehicle. Permanent baseplate safety cables are to be used in conjunction with, and NOT a replacement for legally required safety cables attaching the towed vehicle to the towing vehicle.

OPTION #1

Permanent Baseplate Safety Cables to Cross Member or Frame of Towed Vehicle.



OPTION #2

Permanent Baseplate Safety Cables to Cross Member or Frame of Towed Vehicle.

