



## **BX1923 Installation Instructions 1995-99 Dodge/Plymouth Neon**

Utilization of Blue Ox baseplates with any tow bar not approved by Automatic Equipment Mfg. Co. invalidates the limited warranty.

Installation also requires drilling six 13/32" holes. Some models may require trimming of fascia to allow attachment tabs to come through fascia.

1. Read the General Instruction Sheet included with this baseplate.
2. The baseplate mounts to the front underside of the car using seven bolts, six of which are supplied with the baseplate.
3. The attachment tabs stick through the grill below the license plate. Some models do NOT need to be trimmed. Hold fascia in place to check before trimming. There is a vertical rib in the grill spaced approximately 12" left and right of the center of the car. This rib will need to be removed to allow the attachment tabs to come through the grill. A hacksaw blade works well to cut the ribs off.
4. There is an engine mount in the front center of the engine that bolts to the front cross frame. There is a cast iron skid bar bolted to the frame through the engine mount. Remove the bolt and set the cast piece aside. The bolt will be used again, but the skid bar will not be replaced.
5. The next step is to position the baseplate and mark the holes to be drilled. To get the baseplate into position, start the attachment tabs through the grill first and then lift the back of the baseplate up into position. The center mount on the base tube will match the engine mount where skid bar was. Start the bolt into the engine mount to hold the baseplate in position.
6. With the baseplate in position, mark the six holes to be drilled and remove the baseplate. Drill all six holes 13/32".
7. Replace the baseplate and apply Loctite to all bolts and start them. When all bolts are started, tighten completely.
8. The dimensional variations between otherwise identical cars can be considerable. While the location and size of the holes in the base plate were designed to allow for easy installation, it may be necessary to file a hole slightly to allow a bolt to clear.
9. Install the tow bar and safety cables according to the instructions included in their packages.
10. Do not substitute other devices if the tow bar pin and clip are lost.
11. DEALER OR INSTALLER: BE CERTAIN THE USER RECEIVES THE INSTRUCTION SHEET.

# **Automatic**

### Tools Required

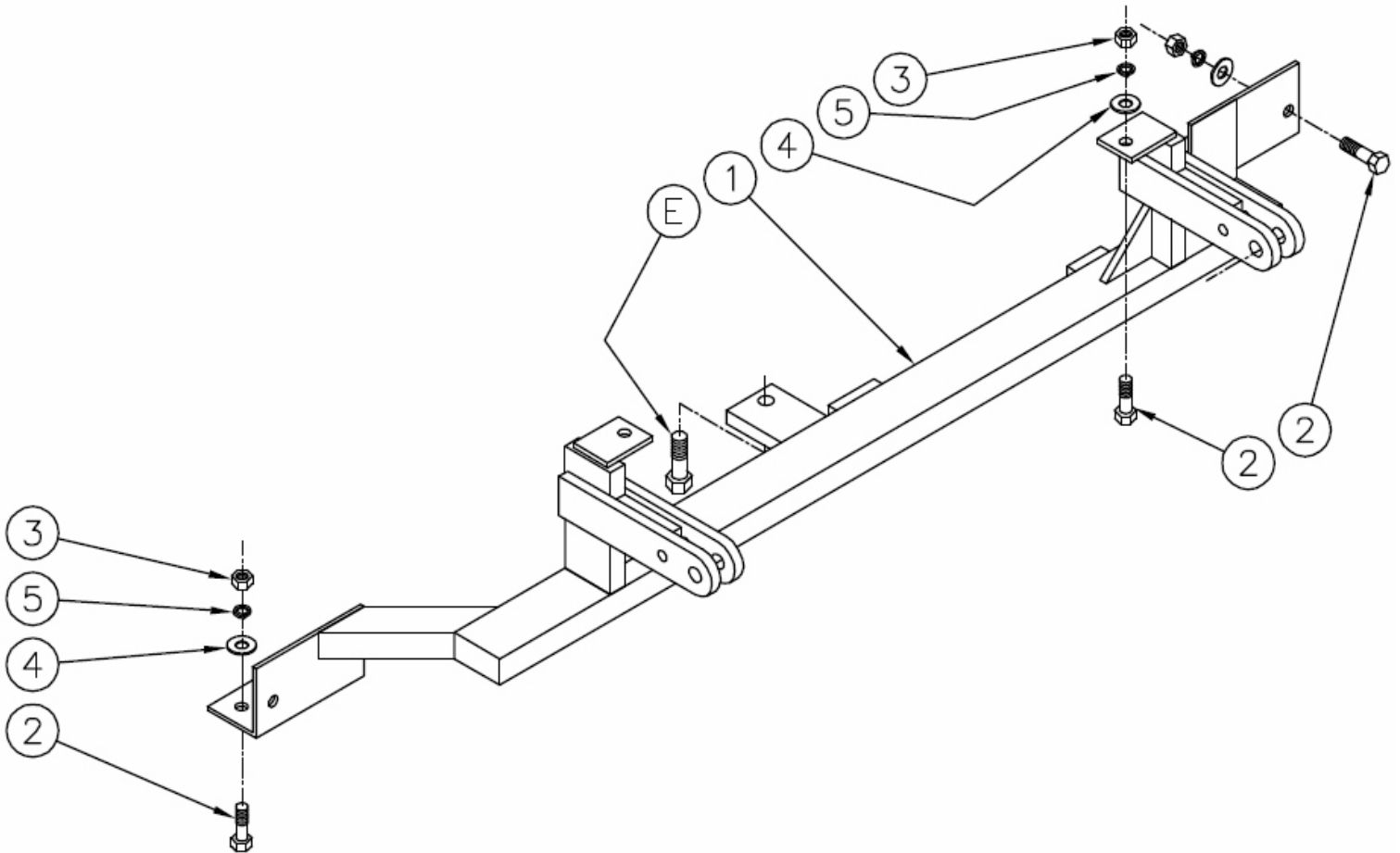
Hacksaw Blade  
9/16" Wrenches

13/32" Drill Bit  
15mm Wrench

Drill  
Loctite Blue

### Parts List

Ref. No.	Qty.	Part No.	Description
1	1	61-4268	Weldment, Baseplate. BX1923
2	6	201-0443	3/8-16 x 1 Hex Bolt, Grd. 5
3	6	202-0003	3/8-16 Hex Nut
4	6	203-0003	3/8 Flat Washer
5	6	203-0010	3/8 Lock Washer
E	1		Existing Bolt
2		226-0046	Baseplate Safety Cable, 36" CL III (Not Shown)
4		229-0359	Quicklink, 3/8, ZP (Not Shown)



# General Information

1. Ensure that your product(s) are registered online at [www.blueox.com](http://www.blueox.com). It is crucial to register your product(s) so that you may be alerted of product offerings, updates, upgrades, maintenance and safety bulletins, and/or recalls.
2. **It is the owner's responsibility to inspect all towing equipment for cracked welds, missing or worn parts and loose bolts before each towing trip.** Be sure to use Loctite® Red on all bolts and tighten to the recommended specifications.
3. **It is the owner's responsibility to hook up all towing equipment per manufacturer's instructions/recommendations.**
4. Remove the attachment tabs when not in use (if applicable).

## Notice To Baseplate Installer

### 1. It is YOUR responsibility to watch for:

- Oil cooler and air conditioner lines
- Electrical wires and hoses
- Missing parts or attaching points on the frame

\*\* If the baseplate is improperly installed and is against a wire or hose, it could cause fluid leaks or electrical shorts some time after the actual baseplate installation.

## Permanent Baseplate Safety Cable Installation

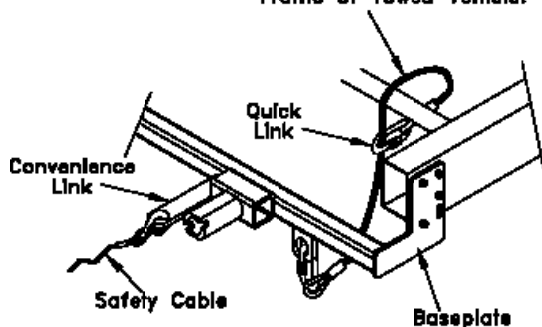
Permanent baseplate safety cables are strongly recommended when towing a vehicle with a tow bar. The principle function of the permanent baseplate safety cables is to prevent the towed vehicle from breaking loose in the event the connection between the frame of the towed vehicle and the baseplate fails or becomes disconnected. The cables must be connected from the baseplate to the frame rail or cross member of the vehicle's frame. The illustrations below show the possible arrangements recommended by Blue Ox®. Each permanent baseplate safety cable must have an adequate weight rating for the towing system. The weight rating of the two (2) cables together will not qualify.

***Do not mount the permanent baseplate safety cables against wires, hoses or brake lines.***

These permanent baseplate safety cables should remain installed as long as the baseplate is installed on the vehicle. Permanent baseplate safety cables are to be used in conjunction with, and NOT a replacement for legally required safety cables attaching the towed vehicle to the towing vehicle.

### OPTION #1

Permanent Baseplate Safety Cables to Cross Member or Frame of Towed Vehicle.



### OPTION #2

Permanent Baseplate Safety Cables to Cross Member or Frame of Towed Vehicle.

