



BX2308 Installation Instructions  
1999-00 Hyundai Elantra

Serial Number

**The baseplate mounts to the frame of the vehicle. Two holes need to be drilled for installation. The bumper molding and the turn signals are removed for installation. The attachment tabs will extend through the grill opening approximately four inches. Fog lights need to be removed permanently for baseplate installation.**

1. Open the hood and remove the four plastic push pins from the top of the bumper molding.
2. Locate and remove the small Phillips screw connecting the head lights and the turn signals. Pull the turn signals out and disconnect the electrical from the plastic assembly. Set the turn signal assemblies aside.
3. Look inside the signal openings locate and remove the 10mm Hex nut.
4. On the bottom of the bumper molding on the outside edges are two Phillip head screws connection the wheel well plastic to the bumper molding. Remove the screws from each side of the vehicle.
5. Pull the plastic fender well molding out, locate and remove the 7mm Hex head bolt connecting the fenders and bumper molding.
6. In the lower grill opening locate and remove the plastic push pins from the upper grill area.
7. On each side of the frame are bolts connecting the frame to the front main bumper. Locate and remove these bolts from each side. (14mm)
8. Next locate the two lower bolts that hold the lower frame supporting the engine. Remove the passenger side bolt.
9. Hold baseplate up aligning the baseplate to the bolt holes from step 8. Use existing bolts. Apply Loctite to each bolt.
10. Notice the two braces outboard of the middle brace. Drill a 3/8" hole into the frame. Use the 3/8" Hex bolts, lock washers and the 3/8" nut plate with wire and fasten the two braces to the frame of the car. Apply Loctite to each bolt.

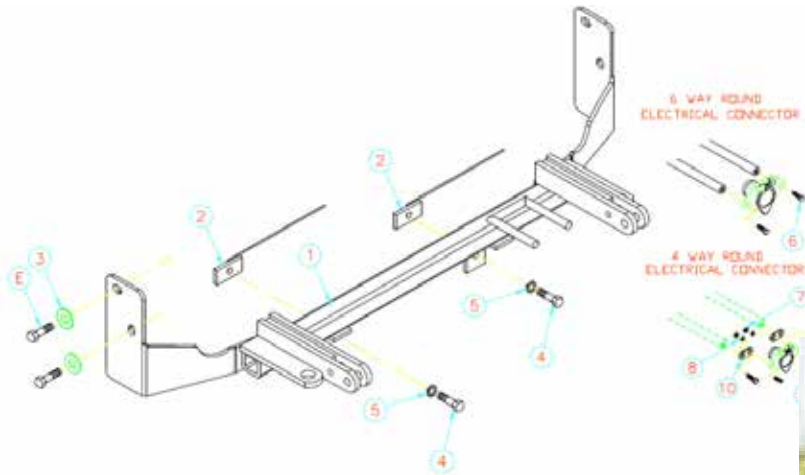


Note: Tighten and torque all bolts according to the chart in the General Instruction Sheet.

11. Replace the bumper molding, fender well molding and the turn signals to original position. The two push pins that go into the grill opening will not be used again.
12. Install the tow bar and safety cables according to the instructions included in their packages. Do not substitute other devices if the tow bar pin and clip are lost.
13. **DEALER OR INSTALLER: BE CERTAIN THE USER RECEIVES THE INSTRUCTION SHEET.**



**Automatic**



**Tools Required**

10MM Wrench  
Phillips Screwdriver

7MM Wrench  
3/8" Drill Bit  
9/16" Wrench

Loctite  
Drill  
14MM Wrench  
17MM Wrench

**Parts List**

Ref. No.	Qty.	Part No.	Description
1	1	61-5356	Baseplate, BX2308
2	2	61-5367	3/8 Nut Plate 1/4 x 1 x 1 with Wire
3	4	203-0005	1/2 Flat washer, ZP
4	2	201-0368	3/8-16 x 1 1/4 Hex Bolt, Grade 5
5	2	203-0010	3/8 Lock Washer
6	2	201-0979	#12-14 x 1" Self Drilling Screw, ZP
7	2	202-0047	#10-32 Hex Nut
8	2	203-0054	#10 Lock washer
9	2	201-0192	#10-32 x 1/2 Slot, Rd. Hd Screw
10	2	101-5822	Adapter, 4 way Connector
E	4		Existing Bolt

# General Information

1. Ensure that your product(s) are registered online at [www.blueox.com](http://www.blueox.com). It is crucial to register your product(s) so that you may be alerted of product offerings, updates, upgrades, maintenance and safety bulletins, and/or recalls.
2. **It is the owner's responsibility to inspect all towing equipment for cracked welds, missing or worn parts and loose bolts before each towing trip.** Be sure to use Loctite® Red on all bolts and tighten to the recommended specifications.
3. **It is the owner's responsibility to hook up all towing equipment per manufacturer's instructions/recommendations.**
4. Remove the attachment tabs when not in use (if applicable).

## Notice To Baseplate Installer

### 1. It is YOUR responsibility to watch for:

- Oil cooler and air conditioner lines
- Electrical wires and hoses
- Missing parts or attaching points on the frame

\*\* If the baseplate is improperly installed and is against a wire or hose, it could cause fluid leaks or electrical shorts some time after the actual baseplate installation.

## Permanent Baseplate Safety Cable Installation

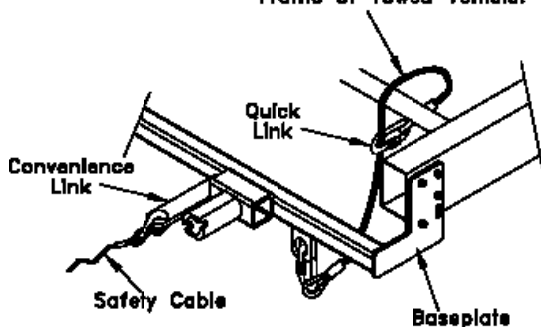
Permanent baseplate safety cables are strongly recommended when towing a vehicle with a tow bar. The principle function of the permanent baseplate safety cables is to prevent the towed vehicle from breaking loose in the event the connection between the frame of the towed vehicle and the baseplate fails or becomes disconnected. The cables must be connected from the baseplate to the frame rail or cross member of the vehicle's frame. The illustrations below show the possible arrangements recommended by Blue Ox®. Each permanent baseplate safety cable must have an adequate weight rating for the towing system. The weight rating of the two (2) cables together will not qualify.

***Do not mount the permanent baseplate safety cables against wires, hoses or brake lines.***

These permanent baseplate safety cables should remain installed as long as the baseplate is installed on the vehicle. Permanent baseplate safety cables are to be used in conjunction with, and NOT a replacement for legally required safety cables attaching the towed vehicle to the towing vehicle.

### OPTION #1

Permanent Baseplate Safety Cables to Cross Member or Frame of Towed Vehicle.



### OPTION #2

Permanent Baseplate Safety Cables to Cross Member or Frame of Towed Vehicle.

