

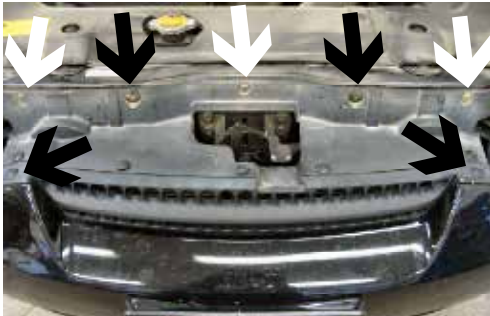


BX2318 Installation Instructions 2003 Hyundai Tiburon GT

Serial No.

Strong As An Ox™

The headlight assembly, front fascia and tie down brackets are removed for baseplate installation. Tie down brackets will be reinstalled. No drilling is required. Trimming of air dam below metal bumper is required. The BX8869 is available for the vehicle. Attachment Tabs are 24 inches center to center and a height of 14 1/2 inches.



1. Remove the four push pins (black arrows) and three phillips screws (white arrows) along the back edge of black plastic cover on top side of fascia with the phillips screw driver. Lift cover and set aside.



2. Remove two metric bolts just forward of front tire on corner of fascia and edge of wheel well with the 8MM and 10MM socket, both sides.



3. Remove two phillips push pins from lower edge of fascia just forward of front tires, both sides.



4. Remove two metric bolts from the top side of head light assembly with the 10MM socket, both sides.



5. Remove the metric bolt from the head light assembly with the 10MM socket, pull forward, unplug and set aside, both sides.



6. Just below headlight assembly is one metric bolt to remove with the 10MM socket and one phillips push pin to remove, both sides.



Strong As An Ox™



7. Remove one phillips push pin from the underside of grill opening with the phillips screw driver, both sides, pull fascia forward and carefully set aside.



8. Remove the three metric bolts from tie down bracket with the 17MM socket, both sides. Using the reciprocating saw, cut support rib on the side of frame just behind frame end and bend rib down flat against frame with a hammer, both sides.

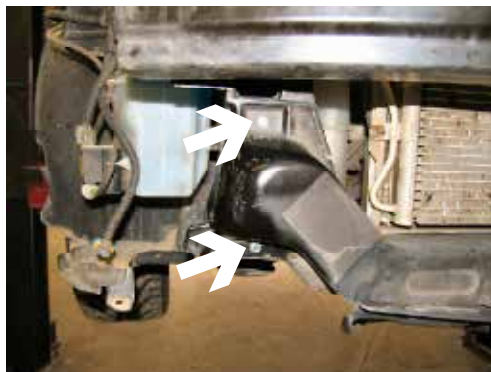


9. Using the reciprocating saw, make a horizontal cut on rib at the end of frame just below metal bumper and one just above lower offset, both sides (see arrows in photo). Make a vertical cut between the top and lower horizontal cuts flush against the side of frame rail, both sides. This will allow the baseplate to slide onto frame rail.



10. Spray paint the cut edges of ribbing on both sides with a fast drying spray paint to prevent corrosion.

11. Drill the self tapping screws into webbing on frame end with the 5/16" nut driver, as shown in photo, both sides.





Strong As An Ox™



12. Slide baseplate onto frame rail to align with existing holes for tie down bracket. Reattach tie down brackets and tighten 10MM bolts, lock and flat washers, according to drawing on page 4, both sides, while maintaining a level position with vehicle. **Be sure to use loctite red on all bolts before tightening. Tighten all bolts according to Torque Chart in General Instruction Sheet. NOTE: Baseplate is painted white to increase visibility in photos.**

13. Using the utility knife, cut out the marked area on the air dam, both sides. Reinstall the air dams.

14. Reinstall the fascia and headlight assemblies. **Be sure all electrical components are plugged in properly.**

15. The dimensional variations between otherwise identical cars can be considerable. While the location and size of the holes in the baseplate were designed to allow for easy installation, it may be necessary to file a hole slightly to allow a bolt to clear.



16. Install the tow bar and safety cables according to the instructions included in their packages.

17. Do **not** substitute other devices if the tow bar pin and clip are lost.

18. DEALER OR INSTALLER: BE CERTAIN THE USER RECEIVES THE INSTRUCTION SHEET.





Tools Required

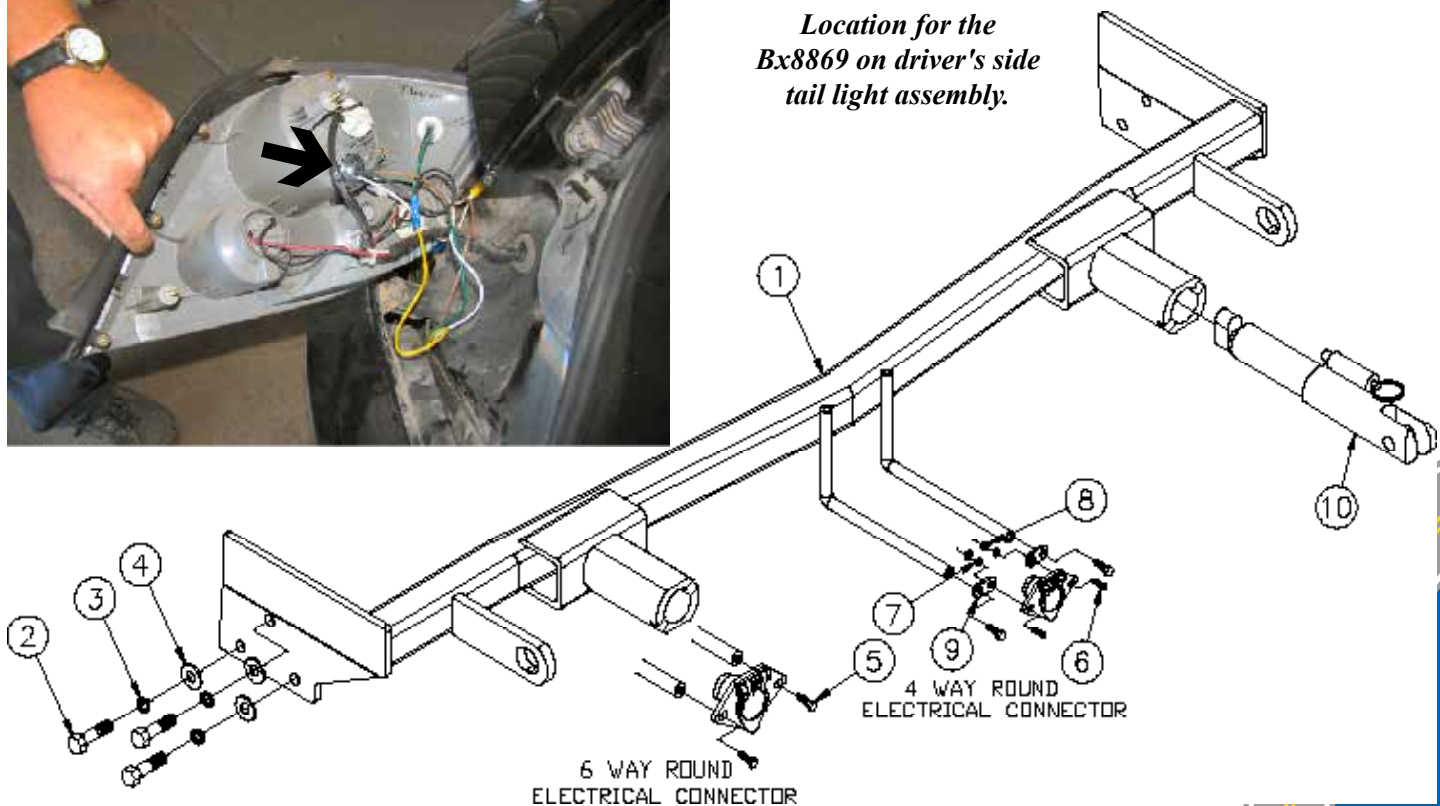
8MM Socket	10MM Socket	17MM Socket
Phillips Screw Driver	Loctite Red	Vise Grip
Utility Knife	Reciprocating Saw	Hammer
5/16" Nut Driver (for drill)		

Parts List

Ref. No.	Qty.	Part No.	Description
1	1	61-6061	Weldment, Base Plate, BX2318
2	6	201-0495	10MM-1.25 X 45MM Hex Bolt, Grd. 8.8, ZP
3	6	203-0104	10MM Lock Washer, ZP
4	6	203-0003	3/8" Flat Washer, ZP
5	2	201-0979	#12-14 x 1" Self Drilling Screw, ZP
6	2	201-0192	#10-32 x 1/2 Slot, Rd. Hd. Screw
7	2	203-0054	#10 Lock Washer
8	2	202-0047	#10-32 Hex Nut
9	2	101-5822	Adapter, 4 Way Connector
10	2	62-3469	Attachment, Assembly, SF/ LB (R)
	2	226-0046	Baseplate Safety Cable, 36" CL III (Not Shown)
	2	229-0359	Quicklink, 3/8, ZP (Not Shown)
	2	290-0437	Receiver Cap Plug (BLK) (Not Shown)



Location for the Bx8869 on driver's side tail light assembly.



IMPORTANT: Use only genuine factory replacement parts on your Base Plate. Do not substitute homemade or nontypical parts. If a bolt is lost or in need of replacement, for your safety and the preservation of your Base Plate, be sure to use a replacement bolt of the same grade (Usually Grade 5, refer to parts list). Repair parts may be ordered through your nearest **Blue Ox** dealer or distributor.

General Information

1. Ensure that your product(s) are registered online at www.blueox.com. It is crucial to register your product(s) so that you may be alerted of product offerings, updates, upgrades, maintenance and safety bulletins, and/or recalls.
2. **It is the owner's responsibility to inspect all towing equipment for cracked welds, missing or worn parts and loose bolts before each towing trip.** Be sure to use Loctite® Red on all bolts and tighten to the recommended specifications.
3. **It is the owner's responsibility to hook up all towing equipment per manufacturer's instructions/recommendations.**
4. Remove the attachment tabs when not in use (if applicable).

Notice To Baseplate Installer

1. It is YOUR responsibility to watch for:

- Oil cooler and air conditioner lines
- Electrical wires and hoses
- Missing parts or attaching points on the frame

** If the baseplate is improperly installed and is against a wire or hose, it could cause fluid leaks or electrical shorts some time after the actual baseplate installation.

Permanent Baseplate Safety Cable Installation

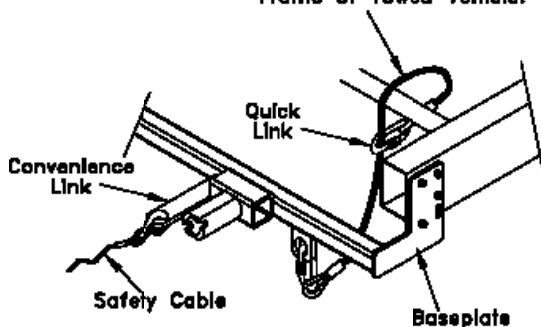
Permanent baseplate safety cables are strongly recommended when towing a vehicle with a tow bar. The principle function of the permanent baseplate safety cables is to prevent the towed vehicle from breaking loose in the event the connection between the frame of the towed vehicle and the baseplate fails or becomes disconnected. The cables must be connected from the baseplate to the frame rail or cross member of the vehicle's frame. The illustrations below show the possible arrangements recommended by Blue Ox®. Each permanent baseplate safety cable must have an adequate weight rating for the towing system. The weight rating of the two (2) cables together will not qualify.

Do not mount the permanent baseplate safety cables against wires, hoses or brake lines.

These permanent baseplate safety cables should remain installed as long as the baseplate is installed on the vehicle. Permanent baseplate safety cables are to be used in conjunction with, and NOT a replacement for legally required safety cables attaching the towed vehicle to the towing vehicle.

OPTION #1

Permanent Baseplate Safety Cables to Cross Member or Frame of Towed Vehicle.



OPTION #2

Permanent Baseplate Safety Cables to Cross Member or Frame of Towed Vehicle.

