



Installation Instructions BX3740
2001 Toyota Camry 6cyl, 4cyl LE

Serial No.

Installation of this baseplate requires removal of turn signals, head lights, plastic bumper fascia, and plastic covers around the tie down mounts. The lower plastic rock guard is temporarily removed from the front only. All holes need to be drilled. The attachment tabs are center at 27 inches. If customer is using a car mounted tow bar it will be necessary to use either a BX88133 or a BX88135. Read the General Instruction Sheet included with this baseplate,



1. Remove the turn signals by locating and removing a plastic rivet outboard of the headlight assembly. Pull assembly forward to remove and unplug.

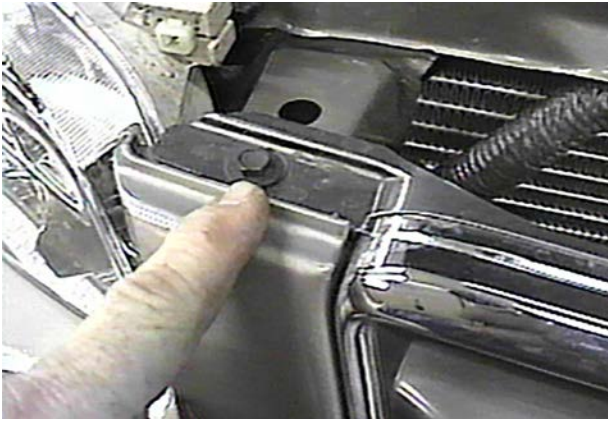
2. Unbolt headlights using a 10mm wrench. There are two bolts on top and one hidden by turn signal assembly. The assemblies are held in position by snap latches. Pull the assembly out and unplug. Repeat for the opposite side.



3. Remove the plastic covers around the tie down mounts.

4. Pull the black cover back inside the fender well. Where the bumper meets the front fender panel there is a bolt on each side.

Automatic



5. Unbolt the three 10mm bolts on the top side of grill.

7. With all the bolts and rivets removed, there are two tabs, one at the base of the turn signal opening and one on the inside of the headlight opening, release these tabs and pull the bumper forward and off. Before installing baseplate move temperature sensor located on the bottom side of the metal inner bumper (Refer to photo in step 6).



6. Remove two push pins located just under the metal bumper, one each side.

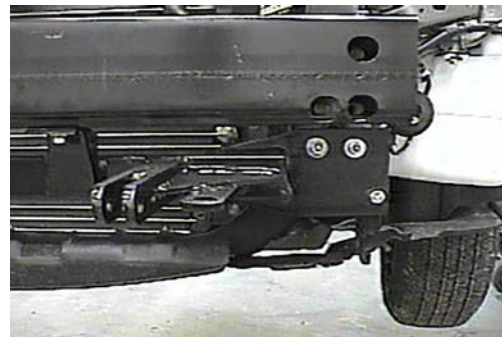


8. Remove anti vibration device one each side with 10mm and 12mm socket. ***This factory component will NOT be reinstalled.***

10. The remaining holes in the end mounts align with the tie down mounts. Use the baseplate as a template and drill the a 13/32" hole in the tie down mount. Bolt the baseplate to the tie down using the 3/8" hardware provided. Use as many flat washers as necessary to fill the space between the baseplate and the tie down. Apply Loctite, tighten the bolts completely, making sure all bolts are tight.

11. To replace the bumper reverse steps 1 - 7.

12. The dimensional variations between otherwise identical cars can be considerable. While the location and size of the holes in the baseplate were designed to allow for easy installation, it may be necessary to file a hole slightly to allow a bolt to clear.



9. Be sure the upper mounts are flush against the bottom of the metal inner bumper. Using the baseplate as a template, drill 17/32" holes in the bumper. Use the 1/2" bolts, washer, and nut plates supplied to secure the baseplate to the bottom of the bumper. Apply Loctite before tightening (use pri-bar to insert nut plate through end of bumper). Apply Loctite and tighten the 8mm nuts on the studs.

Tools Required

12MM Wrench
10MM Wrench

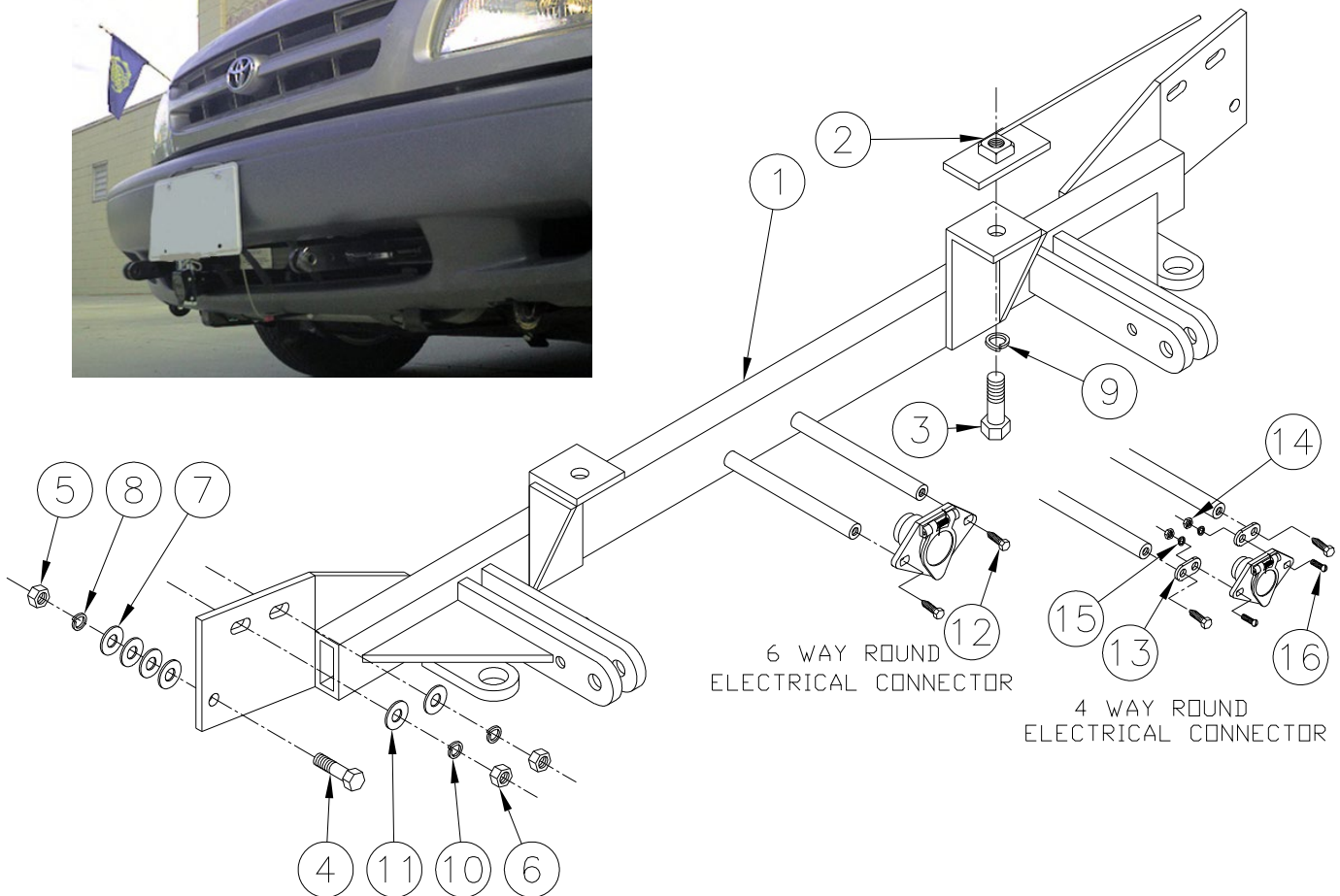
Loctite Red
9/16" Wrench

17/32" Drill Bit
3/4" Wrench

Vise Grips

Parts List

Ref. No.	Qty.	Part No.	Description
1	1	61-5557	Weldment, Base Plate, BX3740
2	2	61-5342	Weldment, 1/2 Nut Plate with 14 inch Wire
3	2	201-0051	1/2-13 x 1 1/2 Bolt Hex Grd 5, ZP
4	2	201-0440	3/8-16 x 1 1/2 Hex Bolt Grd 5, ZP
5	2	202-0003	3/8-16 Hex Nut, ZP
6	4	202-0118	8mm-1.25 Hex Nut, ZP
7	16	203-0003	3/8 Flat Washer, ZP
8	2	203-0010	3/8 Lock Washer, ZP
9	2	203-0012	1/2 Lock Washer, ZP
10	4	230-0102	8mm Lock Washer, ZP
11	4	203-0107	8mm Flat Washer, ZP
12	2	201-0979	#12-14 x 1" Self Drilling Screw, ZP
13	2	101-5822	Adapter, 4 Way Connector
14	2	202-0047	#10-32 Hex Nut
13	2	203-0054	#10 Lock Washer
15	2	201-0192	#10-32 x 1/2 Slot, RD. HD. Screw
	2	226-0046	Baseplate Safety Cable, 36" CL III (Not Shown)
	2	229-0359	Quicklink, 3/8, ZP (Not Shown)



General Information

1. Ensure that your product(s) are registered online at www.blueox.com. It is crucial to register your product(s) so that you may be alerted of product offerings, updates, upgrades, maintenance and safety bulletins, and/or recalls.
2. **It is the owner's responsibility to inspect all towing equipment for cracked welds, missing or worn parts and loose bolts before each towing trip.** Be sure to use Loctite® Red on all bolts and tighten to the recommended specifications.
3. **It is the owner's responsibility to hook up all towing equipment per manufacturer's instructions/recommendations.**
4. Remove the attachment tabs when not in use (if applicable).

Notice To Baseplate Installer

1. It is YOUR responsibility to watch for:

- Oil cooler and air conditioner lines
- Electrical wires and hoses
- Missing parts or attaching points on the frame

** If the baseplate is improperly installed and is against a wire or hose, it could cause fluid leaks or electrical shorts some time after the actual baseplate installation.

Permanent Baseplate Safety Cable Installation

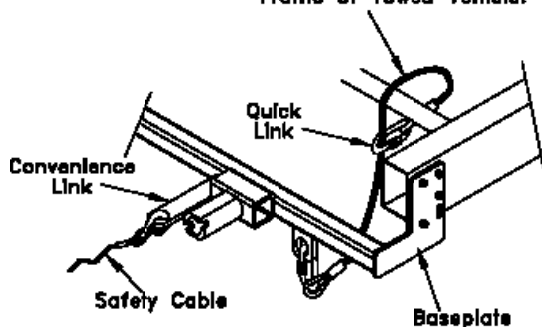
Permanent baseplate safety cables are strongly recommended when towing a vehicle with a tow bar. The principle function of the permanent baseplate safety cables is to prevent the towed vehicle from breaking loose in the event the connection between the frame of the towed vehicle and the baseplate fails or becomes disconnected. The cables must be connected from the baseplate to the frame rail or cross member of the vehicle's frame. The illustrations below show the possible arrangements recommended by Blue Ox®. Each permanent baseplate safety cable must have an adequate weight rating for the towing system. The weight rating of the two (2) cables together will not qualify.

Do not mount the permanent baseplate safety cables against wires, hoses or brake lines.

These permanent baseplate safety cables should remain installed as long as the baseplate is installed on the vehicle. Permanent baseplate safety cables are to be used in conjunction with, and NOT a replacement for legally required safety cables attaching the towed vehicle to the towing vehicle.

OPTION #1

Permanent Baseplate Safety Cables to Cross Member or Frame of Towed Vehicle.



OPTION #2

Permanent Baseplate Safety Cables to Cross Member or Frame of Towed Vehicle.

