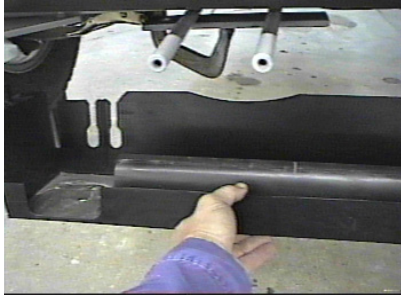




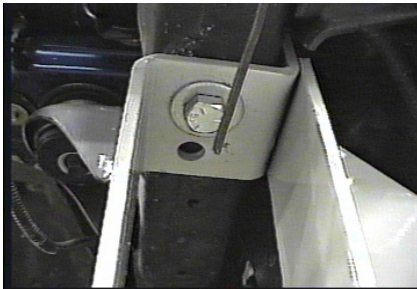
Strong As An Ox™

Installation Instructions BX2157 2001-04 Ford Ranger XLT, 4.0L V6, 4WD 2001-03 Ford Ranger Edge, 2/ 4wd

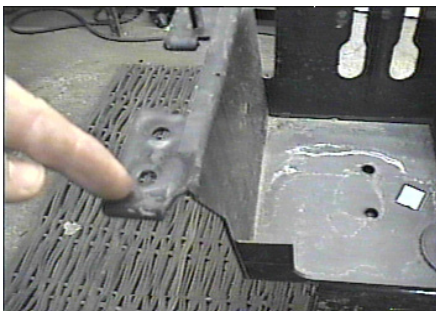
The front bumper is removed for baseplate installation. The lower plastic rock guard, from the front only, is temporarily removed and trimmed. Holes need to be drilled. The attachment tabs are centered at 24 inches.



1. Remove the four bolts from belly pan, a 10mm Socket is needed. Set belly pan aside.



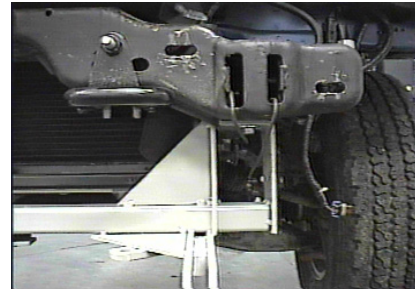
3. Align Base Plate front holes with existing holes on bottom side of frame ends. Using items 2, 4, and 5 to hold Base Plate into position, mark back holes with transfer punch. Remove Base Plate and drill hole on each side using 17/32 inch bit.



5. Hold belly pan in place, mark and trim to fit, (Refer to photo to the right), then replace bumper and belly pan. Be sure all electrical fixtures are connected and tighten all bolt according to manufacturer recommendations Baseplate installation is complete.



2. There are four bolts to remove from the back side of bumper, 18mm Socket is needed. Disconnect all electrical fixtures and set bumper aside.



4. Install Base Plate according to assembly drawing on last page. Be sure and use Loctite on all bolts before tightening. Tighten all bolts according to torque chart in the General Instruction sheet.

6. Install the tow bar and safety cables according to the instructions included in their respective packaging.
7. **DO NOT** substitute other devices if the tow bar pins or clips are lost. Use only Blue Ox replacement parts.
8. **DEALER OR INSTALLER: BE CERTAIN THE USER RECEIVES THE INSTRUCTION SHEET.**

Tools Required

10MM Socket
18MM Socket
Vise Grips

Loctite Blue
3/4" Wrench
Transfer Punch

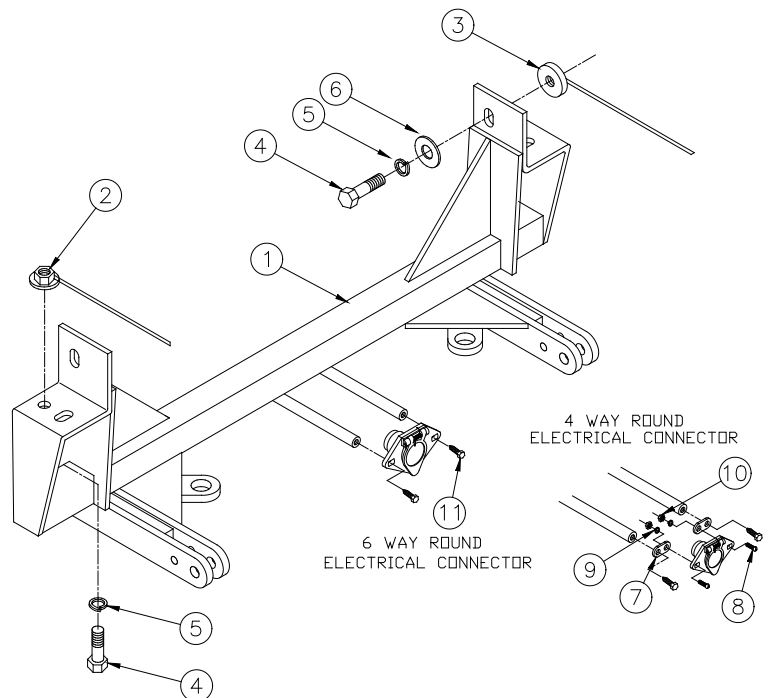
17/32" Drill Bit
Drill

Parts List

Ref. No.	Qty.	Part No.	Description
1	1	61-5568	Weldment, Baseplate, BX2157
2	4	61-4029	Weldment, 1/2" Nut Wire
3	2	61-5159	Weldment, 1/2" Nut Plate
4	6	201-0051	1/2-13 x 1 1/2" Hex Bolt, Grade 5
5	6	203-0012	1/2" Lock Washer
6	4	203-0005	1/2" Flat Washer
7	2	101-5822	Adapter, 4 Way Connector
8	2	201-0192	#10-32 x 1/2 Screw
9	2	203-0054	#10 Lock Washer
10	2	202-0047	#10-32 Hex Nut
11	2	201-0979	#12-14 x 1" Self Drilling Screw, ZP
	2	226-0049	Baseplate Safety Cable, 36" CL IV (NS)
	4	229-0512	Quicklink, 1/2, ZP (Not Shown)

IMPORTANT: Use only genuine factory replacement parts on your Tow Bar. Do not substitute homemade or nontypical parts. If a bolt is lost or in need of replacement, for your safety and the preservation of your Tow Bar, be sure to use a replacement bolt of the same grade (Usually Grade 5, refer to parts list).

Repair parts may be ordered through your nearest Blue Ox dealer or distributor.



General Information

1. Ensure that your product(s) are registered online at www.blueox.com. It is crucial to register your product(s) so that you may be alerted of product offerings, updates, upgrades, maintenance and safety bulletins, and/or recalls.
2. **It is the owner's responsibility to inspect all towing equipment for cracked welds, missing or worn parts and loose bolts before each towing trip.** Be sure to use Loctite® Red on all bolts and tighten to the recommended specifications.
3. **It is the owner's responsibility to hook up all towing equipment per manufacturer's instructions/recommendations.**
4. Remove the attachment tabs when not in use (if applicable).

Notice To Baseplate Installer

1. It is YOUR responsibility to watch for:

- Oil cooler and air conditioner lines
- Electrical wires and hoses
- Missing parts or attaching points on the frame

** If the baseplate is improperly installed and is against a wire or hose, it could cause fluid leaks or electrical shorts some time after the actual baseplate installation.

Permanent Baseplate Safety Cable Installation

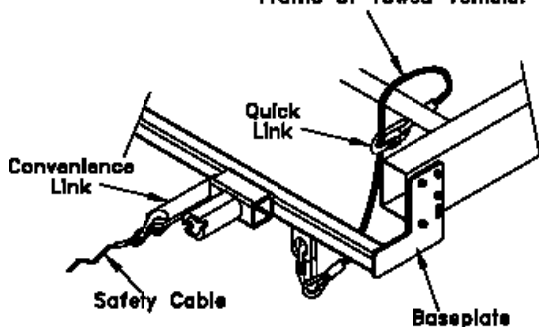
Permanent baseplate safety cables are strongly recommended when towing a vehicle with a tow bar. The principle function of the permanent baseplate safety cables is to prevent the towed vehicle from breaking loose in the event the connection between the frame of the towed vehicle and the baseplate fails or becomes disconnected. The cables must be connected from the baseplate to the frame rail or cross member of the vehicle's frame. The illustrations below show the possible arrangements recommended by Blue Ox®. Each permanent baseplate safety cable must have an adequate weight rating for the towing system. The weight rating of the two (2) cables together will not qualify.

Do not mount the permanent baseplate safety cables against wires, hoses or brake lines.

These permanent baseplate safety cables should remain installed as long as the baseplate is installed on the vehicle. Permanent baseplate safety cables are to be used in conjunction with, and NOT a replacement for legally required safety cables attaching the towed vehicle to the towing vehicle.

OPTION #1

Permanent Baseplate Safety Cables to Cross Member or Frame of Towed Vehicle.



OPTION #2

Permanent Baseplate Safety Cables to Cross Member or Frame of Towed Vehicle.

