



Strong As An Ox™

BX1956 Installation Instructions 2001-04 Chrysler PT Cruiser (Include Turbo)

Serial No.

The front fascia and metal bumper are removed for baseplate installation. Factory metal bumper will not be reinstalled. Drilling is required. The BX8869 is available for the vehicle. Attachment Tabs are 25" center to center and a height of 12-1/2".



1. Open hood and remove screws from top of grill. Carefully pull grill up and out to remove, set aside.



2. Remove two (2) metric screws from the top of the fascia using the 7MM socket.



3. Just forward of front tires are three (3) metric bolts to remove on wheel well with the 10MM socket, both sides.



4. Pull wheel well molding back and remove two (2) nuts from upper fascia's corner, both sides.



5. Using the 10MM socket remove six (6) metric bolts from the bottom side of front fascia, pull fascia forward and set aside.



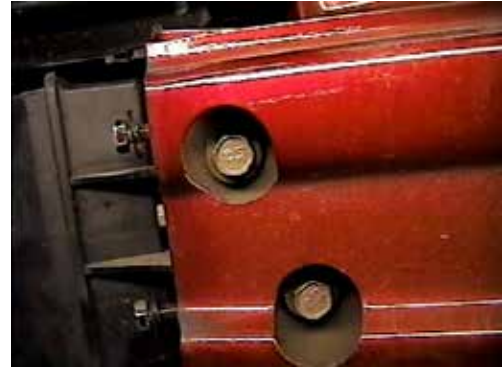
6. Remove two (2) metric bolts from vacuum tank on passenger's side with the 10MM socket and set a side.



Strong As An Ox™



7. **2001-02 Models:** Remove two (2) front metric bolts and loosen the back metric bolt on the computer box of the driver's side frame rail with the 10MM socket.



8. Remove four (4) metric bolts from metal bumper front openings using the 13MM socket, disconnect wiring harness and set metal bumper aside. **Metal bumper will not be reinstalled.**

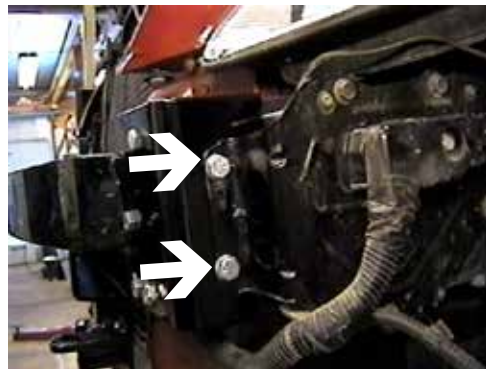


9. Using the reciprocating saw, measure and mark from the top side of lower radiator tray up 2-3/4" and 5" on lower frame, both sides. Then make two (2) 1" horizontal cuts on lower frame bend section back out of the way or cut off.



10. Align the baseplate with existing holes on the outside of passenger's side frame rail and tighten the two (2) existing bolts. Clamp baseplate on driver's side to align with top edge of frame rail with the vise grip. **Be sure and use Loctite on all bolts before tightening. Torque all bolts according to Torque Chart in General Instructions.**

11. Using the baseplate as a template, drill holes in the side of frame rail with the 13/32" drill bit. **2001-02 Models will need to drill front holes out on computer box to align with these drilled holes.** Insert item #2 into frame opening on driver's side to align with drilled holes and tighten items #4 and #5. **Be sure and use Loctite on all bolts before tightening. Torque all bolts according to Torque Chart in General Instruction Sheet.**





Strong As An Ox™



- 12.** In the center bottom hole, use a 3/8"-16 x 1-1/2" bolt. Add a bracket to the back of the baseplate. Align bottom hole of bracket with bottom hole and attach 3/8" lock washer with 3/8" nut plate. Do this on both sides.



- 13.** Using a 13/32" drill bit, drill the top hole of bracket into frame. On the passenger's side, use a tube over the drill bit to protect the tubes and wires. Insert 3/8" nut plate through the frame rail and attach with 3/8"-16 x 1-1/2" bolts and 3/8" lock washers.

- 14.** Drill the remaining three (3) holes on the front of the baseplate using a 13/32" drill bit. Insert 3/8"-16 x 1-1/4" bolts into all drilled holes and tighten with 3/8" lock washers and 3/8" hex nuts on the back side of the webbing. Be sure and use loctite on all bolts before tightening. Torque all bolts according to Torque Chart in General Instruction Sheet. Do this on both sides.





Strong As An Ox™

15. Lay fascia face down on soft material to prevent scratching. Cut out template, fold and tape in place according to instructions on template, both sides. Mark and predrill 1/4" hole on both sides. Using the 1-1/2" hole saw, drill holes to align with 1/4" predrill holes. Have someone help hold fascia into place to acquire **proper alignment** with vehicle and receiver tubes. Carefully cut fascia with utility knife to open up area for convenience link adjacent to receiver tubes, both sides. Shape opening with a barrel sander to fit receiver tubes and slide fascia into place.



16. Reinstall front fascia and remove license plate bracket using the 10MM socket. Using item #8 as a template, center and drill two (2) holes into the bottom of license plate bracket with the 9/32" drill bit. Install items #8, #10, #11, #12 and #13 to license plate bracket according to drawing on last page. Reinstall license plate bracket.

17. The dimensional variations between otherwise identical cars can be considerable. While the location and size of the holes in the baseplate were designed to allow for easy installation, it may be necessary to file a hole slightly to allow a bolt to clear.

18. Install the tow bar and safety cables according to the instructions included in their packages.

19. Do **not** substitute other devices if the tow bar pin and clip are lost.

20. DEALER OR INSTALLER: BE CERTAIN THE USER RECEIVES THE INSTRUCTION SHEET.



Strong As An Ox™

Ref. No. Qty.

9/16" Socket
13/32" Drill Bit
7MM Socket
Barrel Sander
Hack Saw

Tools Required

Loctite
1 1/2" Hole Saw
10MM Socket
Flat Head Screw Driver
Utility Knife
Tape Measure
10MM Socket
13MM Socket
Vise Grip
Reciprocating Saw

Parts List

Ref. No.	Qty.	Part No.	Description
1	1	61-5838	Weldment, Base Plate, BX1956
2	4	61-5367	Weldment, 3/8-16 Nut Plate, w 14 Inch Wire
3	8	201-0368	3/8-16 x 1 1/4 Bolt, Grd. 5, ZP
4	4	201-0440	3/8-16 x 1 1/2 Bolt, Grd, 5, ZP
5	12	203-0010	3/8 Lock Washer, ZP
6	8	202-0003	3/8-16 Hex Nut, ZP
7	2	62-3468	Attachment, Assembly, SF/ SB, 1 Hole (R)
8	1	101-6437	Bracket, Electrical, BX1956
9	1	101-6438	Flat, 12GA x 1 x 5, BX1956
10	4	201-0569	1/4-20 x 3/4 Hex Bolt, Grd. 5, ZP
11	4	203-0001	1/4 Flat Washer, ZP
12	4	203-0008	1/4 Lock Washer, ZP
13	4	202-0069	1/4-20 Hex Whiz Nut, LocZP
14	2	201-0192	#10-32 x 1/2 Slot, Rd. Hd. Screw
15	2	203-0054	#10 Lock Washer
16	2	202-0047	#10-32 Hex Nut
17	2	101-5822	Adapter, 4 Way Connector
18	2	102-6844	Support, Brace BX1956 & BX1968
E	3		Existing Metric Bolts.
Attachment		292-6118	2001-02 Grill Template, BX1956
Attachment		292-6155	2003 Grill Template, BX1956
	2	226-0046	Baseplate Safety Cable, 36" CL III (Not Shown)
	2	229-0359	Quicklink, 3/8, ZP (Not Shown)
	2	290-0437	Receiver, Cap Plug (BLK) (Not Shown)

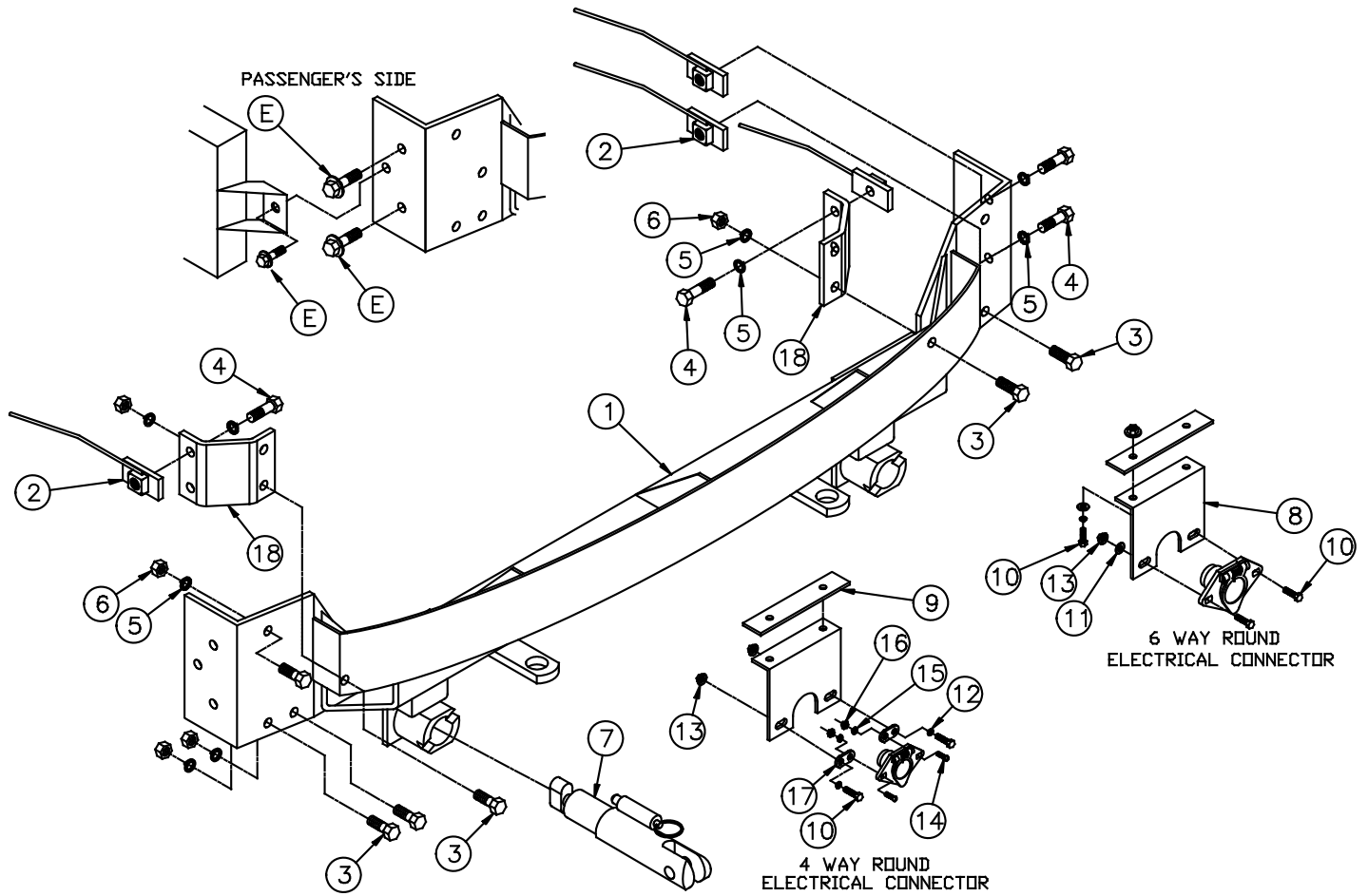


Location for the BX8869 on the driver's side.

IMPORTANT: Use only genuine factory replacement parts on your Base Plate. Do not substitute homemade or nontypical parts. If a bolt is lost or in need of replacement, for your safety and the preservation of your Base Plate, be sure to use a replacement bolt of the same grade (Usually Grade 5, refer to parts list). Repair parts may be ordered through your nearest **Blue Ox** dealer or distributor.



Strong As An Ox™



General Information

1. Ensure that your product(s) are registered online at www.blueox.com. It is crucial to register your product(s) so that you may be alerted of product offerings, updates, upgrades, maintenance and safety bulletins, and/or recalls.
2. **It is the owner's responsibility to inspect all towing equipment for cracked welds, missing or worn parts and loose bolts before each towing trip.** Be sure to use Loctite® Red on all bolts and tighten to the recommended specifications.
3. **It is the owner's responsibility to hook up all towing equipment per manufacturer's instructions/recommendations.**
4. Remove the attachment tabs when not in use (if applicable).

Notice To Baseplate Installer

1. It is YOUR responsibility to watch for:

- Oil cooler and air conditioner lines
- Electrical wires and hoses
- Missing parts or attaching points on the frame

** If the baseplate is improperly installed and is against a wire or hose, it could cause fluid leaks or electrical shorts some time after the actual baseplate installation.

Permanent Baseplate Safety Cable Installation

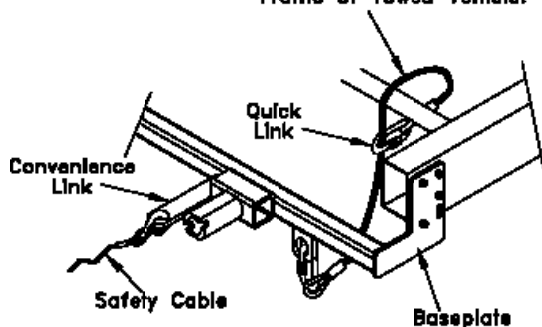
Permanent baseplate safety cables are strongly recommended when towing a vehicle with a tow bar. The principle function of the permanent baseplate safety cables is to prevent the towed vehicle from breaking loose in the event the connection between the frame of the towed vehicle and the baseplate fails or becomes disconnected. The cables must be connected from the baseplate to the frame rail or cross member of the vehicle's frame. The illustrations below show the possible arrangements recommended by Blue Ox®. Each permanent baseplate safety cable must have an adequate weight rating for the towing system. The weight rating of the two (2) cables together will not qualify.

Do not mount the permanent baseplate safety cables against wires, hoses or brake lines.

These permanent baseplate safety cables should remain installed as long as the baseplate is installed on the vehicle. Permanent baseplate safety cables are to be used in conjunction with, and NOT a replacement for legally required safety cables attaching the towed vehicle to the towing vehicle.

OPTION #1

Permanent Baseplate Safety Cables to Cross Member or Frame of Towed Vehicle.



OPTION #2

Permanent Baseplate Safety Cables to Cross Member or Frame of Towed Vehicle.

