



## BX2214 Installation Instructions 1994-97 Honda Accord

**Utilization of Blue Ox baseplates with any tow bar not approved by Automatic Equipment Mfg. Company invalidates the limited warranty.**

Installation of this baseplate requires removing the tie down brackets, the plastic belly pan, and the black strip located along the bottom of the bumper. Both the belly pan and the black plastic strip must be notched.

1. Read the General Instruction sheet included with this baseplate.
2. The baseplate mounts to the front underside of the car using ten bolts; five on each side of the car.
3. Remove the plastic belly pan from the front underside of the car. It is held on with bolts (10mm socket), and plastic pop-in pins (pull down with pliers). Save all parts for later installation.
4. Remove both of the tie-down brackets. Each is attached with 3 hex head bolts (13mm socket). Inspect and save the bolts for re-use.
5. There is a black plastic strip that runs along the bottom of the bumper. Remove this by removing the bolts along the outside edges and unsnapping it from the grill in the center.
6. Place a jack under the left to right horizontal engine mount cross beam, near the center, for support. Remove only 2 of the hex head bolts, both on the same side, which attach the cross beam to the chassis (17mm socket). Inspect and save for re-use.
7. Loosely, install a Mount on the same side as step 5. Hand tighten the 2 cross beam bolts. Hand tighten the three tie-down bolts. Apply Loctite. DO NOT FULLY TIGHTEN YET.
8. Repeat step 5 & 6 for the other side.
9. The dimensional variations between otherwise identical cars can be considerable. While the location and size of the holes in the baseplate were designed to facilitate easy installation, it may be necessary to file or drill a hole slightly to allow a bolt to clear.
10. Fit and notch the black plastic lower bumper strip around the left and right Mounts. The rear bolt for the cross tube will be behind the strip when the strip is installed.
11. Attach the baseplate to the left and right Mounts, using the 1/2-13 hardware provided. The plastic strip will be compressed slightly in the center by the cross tube. Do Not Fully Tighten Yet.
12. Tighten the 4 (2/side) engine cross beam bolts first. Tighten completely.
13. Tighten all other hardware.
14. Fit and notch the belly pan using a utility knife, and re-install on the car. Note that only two small squares need be removed at the front around either side of the engine cross beam.
15. Included in the manual package is a dash decal for your car to remind you how to set up the transmission to tow. Place the decal on the dash of your Honda or on the tow bar or anywhere it will remind you to make sure your transmission will be properly shifted before you tow. Detailed instructions appear later in this instruction sheet.
16. Install the tow bar and safety cables according to the instructions included in their packages.
17. Do not substitute other devices if the pin and clip are lost.
18. **DEALER OR INSTALLER: BE CERTAIN THE USER RECEIVES THE INSTRUCTION SHEET.**

# Automatic

Ref No.	Qty.	Part No.	Parts List	Description
1	1	61-3315	.....	Weldment, Baseplate, BX2214
2	1	61-4138	.....	Weldment, Mount, D-Side, BX2214
3	1	61-4139	.....	Weldment, Mount, P-Side, BX2214
4	4	201-0051	.....	1/2-13 x 1 1/2 Hex Head Bolt, Grade 5
5	4	202-0005	.....	1/2-13 Hex Nut
6	4	203-0012	.....	1/2 Lock Washer
	2	226-0046	.....	Baseplate Safety Cable, 36" CL III (Not Shown)
	4	229-0359	.....	Quicklink, 3/8, ZP (Not Shown)
	1	292-2127	.....	Decal, Honda Transmission Set-up (Not Shown)

### Tools Required

10mm Socket  
3/4" Socket  
Pliers

13mm Socket  
Loctite Blue  
Jack

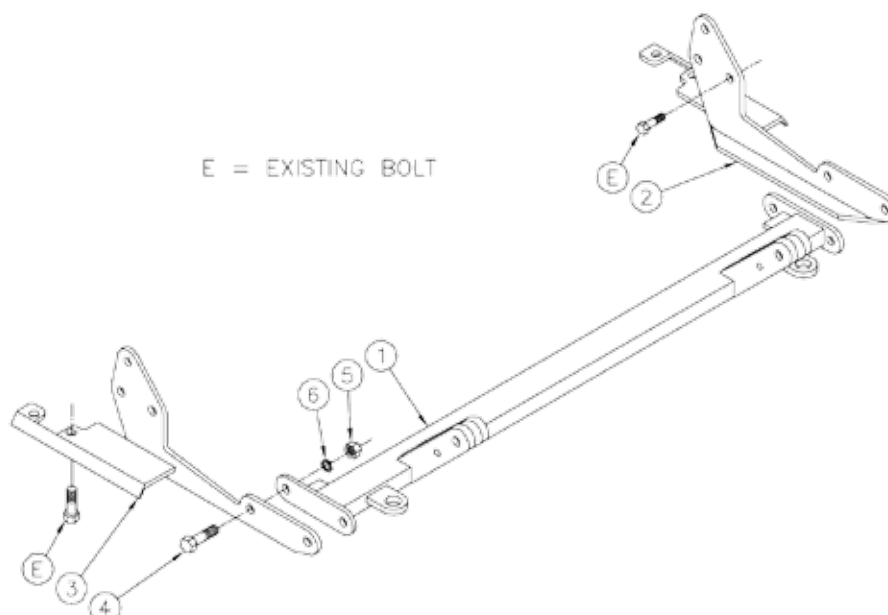
17mm Socket  
Screw Driver

### 1989 & Newer Honda Automatics

All Honda and Acura automatic transmission vehicles, any model, any year, can be towed without special pumps or drive shaft disconnects. Please note however that Honda and Acura automatic transmissions for 1989 & newer were modified so they cannot be shifted rapidly from reverse to drive. Rapid shifting from reverse to drive can damage any automatic transmission.

Honda advises that the modification leaves a portion of the automatic transmission in reverse when it is only shifted from reverse to neutral. This partial neutral condition cannot be detected by revving the engine, because the car will not move even though a portion of the transmission is still in reverse. If the car is towed on all four wheels in this false-neutral condition, the automatic transmission will be damaged.

To make sure that the automatic transmission is completely in neutral, it must be shifted to drive and then to neutral before turning the engine off and towing the car on all four wheels. In other words, a 1989 and newer model Honda or Acura car equipped with an automatic transmission can be towed on all four wheels without damaging the transmission, if the transmission lever is shifted from the drive position to the neutral position before the engine is turned off. If the transmission lever is shifted from the reverse position to the neutral position, the automatic transmission will be damaged when the car is towed on all four wheels.



# General Information

1. Ensure that your product(s) are registered online at [www.blueox.com](http://www.blueox.com). It is crucial to register your product(s) so that you may be alerted of product offerings, updates, upgrades, maintenance and safety bulletins, and/or recalls.
2. **It is the owner's responsibility to inspect all towing equipment for cracked welds, missing or worn parts and loose bolts before each towing trip.** Be sure to use Loctite® Red on all bolts and tighten to the recommended specifications.
3. **It is the owner's responsibility to hook up all towing equipment per manufacturer's instructions/recommendations.**
4. Remove the attachment tabs when not in use (if applicable).

## Notice To Baseplate Installer

### 1. It is YOUR responsibility to watch for:

- Oil cooler and air conditioner lines
- Electrical wires and hoses
- Missing parts or attaching points on the frame

\*\* If the baseplate is improperly installed and is against a wire or hose, it could cause fluid leaks or electrical shorts some time after the actual baseplate installation.

## Permanent Baseplate Safety Cable Installation

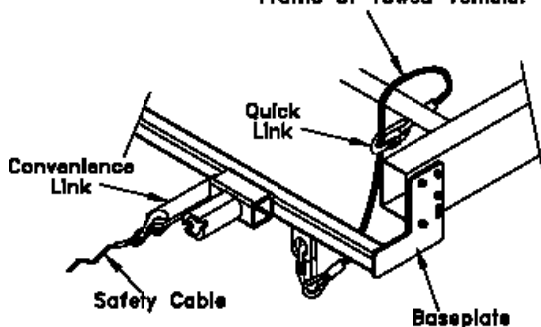
Permanent baseplate safety cables are strongly recommended when towing a vehicle with a tow bar. The principle function of the permanent baseplate safety cables is to prevent the towed vehicle from breaking loose in the event the connection between the frame of the towed vehicle and the baseplate fails or becomes disconnected. The cables must be connected from the baseplate to the frame rail or cross member of the vehicle's frame. The illustrations below show the possible arrangements recommended by Blue Ox®. Each permanent baseplate safety cable must have an adequate weight rating for the towing system. The weight rating of the two (2) cables together will not qualify.

***Do not mount the permanent baseplate safety cables against wires, hoses or brake lines.***

These permanent baseplate safety cables should remain installed as long as the baseplate is installed on the vehicle. Permanent baseplate safety cables are to be used in conjunction with, and NOT a replacement for legally required safety cables attaching the towed vehicle to the towing vehicle.

### OPTION #1

Permanent Baseplate Safety Cables to Cross Member or Frame of Towed Vehicle.



### OPTION #2

Permanent Baseplate Safety Cables to Cross Member or Frame of Towed Vehicle.

