



**BX2221 Installation Instructions  
2000-01 Honda CR-V**

**Serial No.**

**Strong As An Ox™** The front fascia, metal bumper, air baffle and windshield washer reservoir are removed for baseplate installation. Drilling is required. Trimming of metal bumper and fascia is required. Horn brackets will need to be relocated. The BX8869 is available for the vehicle. Attachment Tabs are 24 inches center to center and a height of 19 inches.



1. Remove the four phillips screws from top edge of upper grill between headlights, using the phillips screw driver.



3. Remove the five push pins from the top edge of fascia.



5. Forward of front tires is one phillips screw to remove from lower edge of fascia with a phillips screw driver, both sides.



2. Using a long shank phillips screw driver, loosen the screw on lower section of grill from opening on top edge of grill (white arrow), both sides. Pull the middle of top grill edge forward to loosen center screw of lower grill, pull grill forward and set aside.



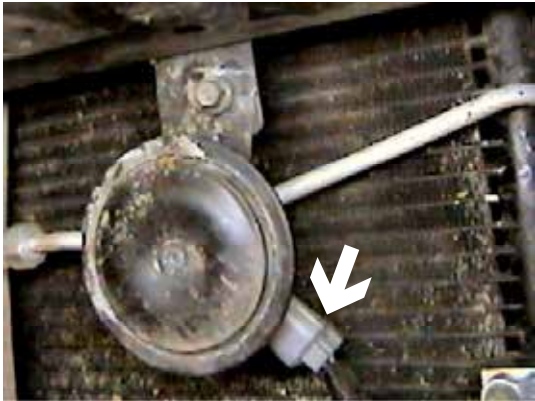
4. Remove one phillips screw from fascia's end just forward of front tires, both sides.



6. Remove one metric bolt from lower edge of fascia with the 10MM socket, both sides, pull fascia forward and set aside.



Strong As An Ox™



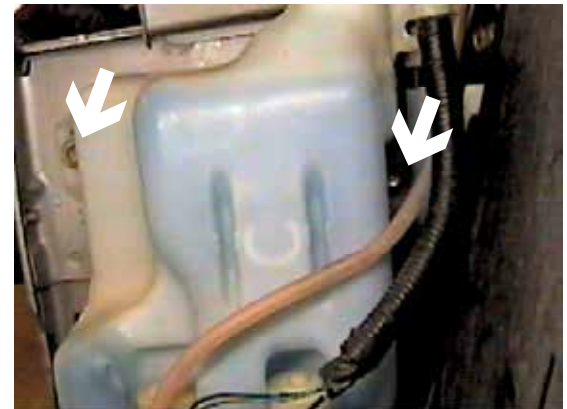
7. Unplug electrical connections to horns attached to lower metal bumper and pull connectors out of the way.



8. Remove two metric bolts from metal bumper, both sides using the 13MM socket, pull forward and set aside.



9. Remove one metric bolt on the driver's side from washer reservoir next to fill spout with the 10MM socket.



10. Remove two metric bolts from washer reservoir on driver's side, disconnect electrical and plug fluid lines, set reservoir aside.



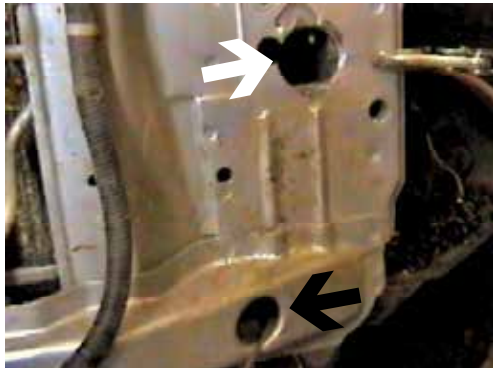
11. Using the 10MM socket, remove one metric bolt from air baffle on passenger's side.



12. Just below passenger's side frame is one metric bolt to remove from air baffle, disconnect baffle coupler and set aside.



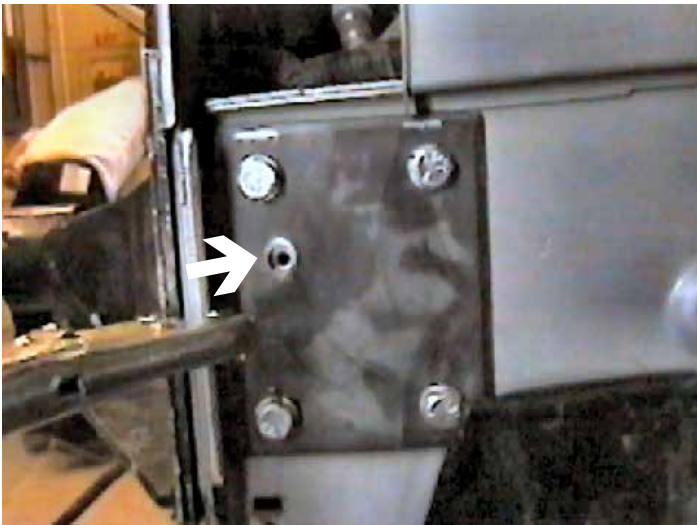
Strong As An Ox™



13. Using a 1 1/2" hole saw, drill a hole in the frame end just below the bumper hanger, both sides (white arrow).



14. Remove weld nut for lower outside bumper bolt, from the back side of frame end webbing with a flat chisel, both sides.



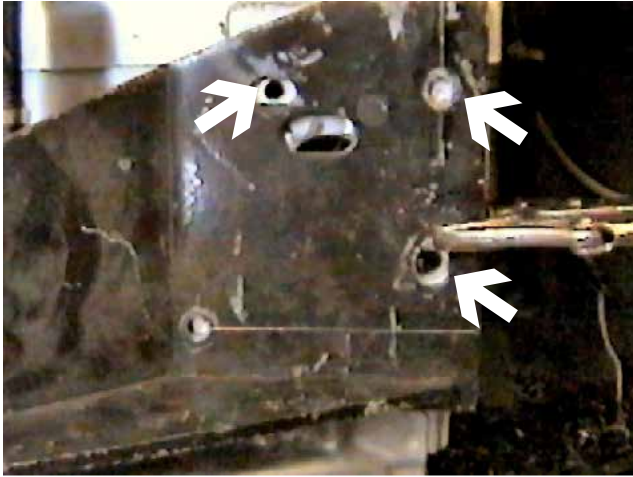
15. Align plate support on driver's side with existing hole for washer reservoir and clamp to webbing with vise grip (passenger's side to approximately the same location). Using the plate support as a template drill all four holes with the 13/32" drill bit, both sides. Insert nut plate into 1 1/2" hole cut into frame end to align with upper drilled holes for plate support and tighten 3/8 x 1 1/2" hex bolt and lock washer, both sides. Insert nut plate into lower hole on frame end (black arrow in photo of step 13) to align with lower drilled holes for plate support and tighten 3/8 x 1 1/2" hex bolt and lock washer, both sides. **Be sure to use loctite on all bolts before tightening. Tighten all bolts according to torque chart in the General Instruction sheet.**



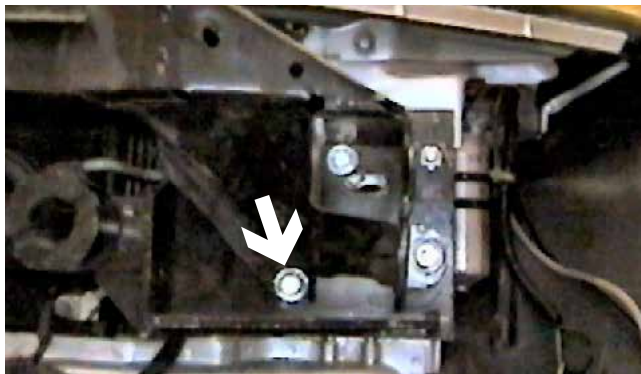
16. Cut webbing on metal bumper just above lower outside bolt location with a reciprocating saw, both side. **(Metal bumper is shown on vehicle for reference only. Cut metal bumper while off of vehicle.)**



Strong As An Ox™

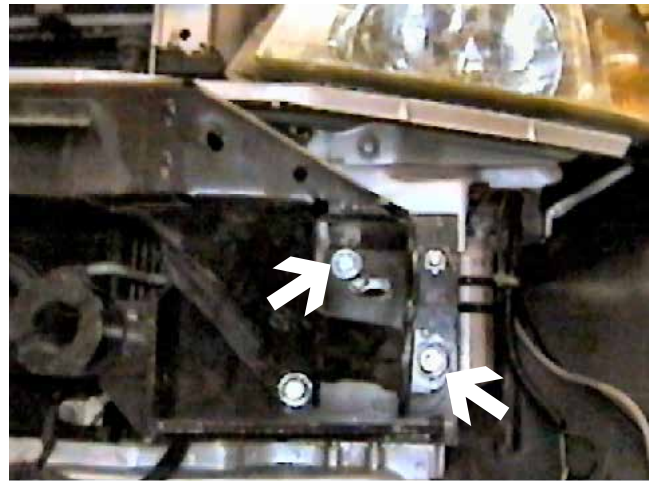


18. Reinstall top middle bolt location for the metal bumper using the 8MM-1.25 x 30MM hex bolt, lock and flat washer, both sides (left arrow). Install 3/8" x 1 1/2" hex bolt, hex nut, flats and lock washers into lower drilled hole on baseplate ends (right arrow). **Be sure and use loctite on all bolts before tightening. Tighten all bolts according to torque chart in the General Instruction sheet. NOTE: Horn brackets may need to be rotated out of the way, on some models, to allow metal bumper install over the top of baseplate. Loosen the hex bolt with the 10MM socket.**



19. Align 3/8" nut plate to lower drilled hole for metal bumper on the back side of radiator support, tighten the 3/8" x 1 1/4" hex bolt, lock and flat washers, both sides. **Be sure to use loctite on all bolts before tightening. Tighten all bolts according to Torque Chart in General Instruction Sheet.**

17. Align baseplate with upper bolt location for metal bumper (left arrow) and clamp ends to frame webbing. Be sure baseplate is centered on the vehicle and holes on the ends of baseplate should align with the slots of installed plate supports. Using the baseplate as a template, drill the two holes through webbing, into plate support slots and lower hole with the 13/32" drill bit, both sides. Insert 3/8 x 1 1/4" hex bolt into top outside drilled hole of baseplate and plate support, tighten the 3/8" hex nut, flat and lock washer, both sides. **Be sure and use loctite on all bolts before tightening. Tighten all bolts according to torque chart in the General Instruction sheet.**



20. Using a utility knife, cut and remove the marked pieces from the back side of fascia, both sides.



Strong As An Ox™

21. Reinstall air baffle, washer reservoir, horn wiring and fascia. **Be sure all electrical components and fluid lines are plugged in properly.**
22. The dimensional variations between otherwise identical cars can be considerable. While the location and size of the holes in the baseplate were designed to allow for easy installation, it may be necessary to file a hole slightly to allow a bolt to clear.
23. Install the tow bar and safety cables according to the instructions included in their packages.
24. Do **not** substitute other devices if the tow bar pin and clip are lost.
25. **DEALER OR INSTALLER: BE CERTAIN THE USER RECEIVES THE INSTRUCTION SHEET.**

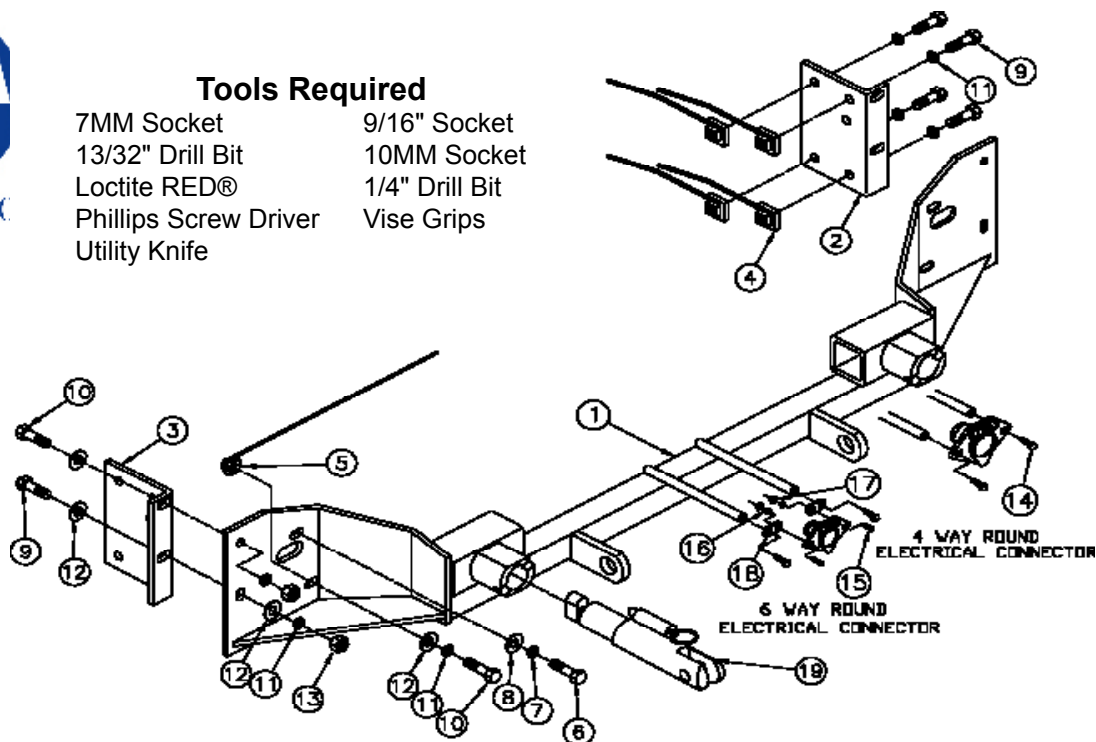


*Location for the  
Bx8869 on driver's side  
tail light assembly.*



### Tools Required

- |                       |                |
|-----------------------|----------------|
| 7MM Socket            | 9/16" Socket   |
| 13/32" Drill Bit      | 10MM Socket    |
| Loctite RED®          | 1/4" Drill Bit |
| Phillips Screw Driver | Vise Grips     |
| Utility Knife         |                |



Item	Qty.	Part No.	Description
1	1	61-5461	Weldment, Base Plate, BX2221
2	1	102-6477	Plate Support, DS, BX2221
3	1	102-6478	Plate Support, PS, BX2221
4	8	61-5208	3/8" Nut Plate, with 14" Wire
5	2	61-4978	3/8" Whiz Nut, with 14" Wire
6	2	201-0446	8MM-1.25 x 30MM Hex Bolt, Grd. 8.8, ZP
7	2	203-0102	8MM Lock Washer, ZP
8	2	203-0107	8MM Flat Washer, ZP
9	10	201-0440	3/8-16 x 1 1/2 Bolt, Grd. 5, ZP
10	4	201-0368	3/8-16 x 1 1/4 Bolt, Grd. 5, ZP
11	14	203-0010	3/8 Lock Washer, ZP
12	8	203-0003	3/8 Flat Washer, ZP
13	4	202-0003	3/8 Hex Nut, ZP
14	2	201-0979	#12-14 x 1" Self Drilling Screw, ZP
15	2	201-0192	#10-32 x 1/2 Slot, Rd. Hd. Screw
16	2	203-0054	#10 Lock Washer
17	2	202-0047	#10-32 Hex Nut
18	2	101-5822	Adapter, 4 Way Connector
19	2	62-3468	Attachment, Assembly, SF/ SB (R)
	2	226-0046	Baseplate Safety Cable, 36" CL III (Not Shown)
	2	229-0359	Quicklink, 3/8, Z (Not Shown)
	2	290-0437	Receiver, Cap Plug (BLK) (Not Shown)

**IMPORTANT:** Use only genuine factory replacement parts on your Base Plate. Do not substitute homemade or nontypical parts. If a bolt is lost or in need of replacement, for your safety and the preservation of your Base Plate, be sure to use a replacement bolt of the same grade (Usually Grade 5, refer to parts list). Repair parts may be ordered through your nearest **Blue Ox** dealer or distributor.

# General Information

1. Ensure that your product(s) are registered online at [www.blueox.com](http://www.blueox.com). It is crucial to register your product(s) so that you may be alerted of product offerings, updates, upgrades, maintenance and safety bulletins, and/or recalls.
2. **It is the owner's responsibility to inspect all towing equipment for cracked welds, missing or worn parts and loose bolts before each towing trip.** Be sure to use Loctite® Red on all bolts and tighten to the recommended specifications.
3. **It is the owner's responsibility to hook up all towing equipment per manufacturer's instructions/recommendations.**
4. Remove the attachment tabs when not in use (if applicable).

## Notice To Baseplate Installer

### 1. It is YOUR responsibility to watch for:

- Oil cooler and air conditioner lines
- Electrical wires and hoses
- Missing parts or attaching points on the frame

\*\* If the baseplate is improperly installed and is against a wire or hose, it could cause fluid leaks or electrical shorts some time after the actual baseplate installation.

## Permanent Baseplate Safety Cable Installation

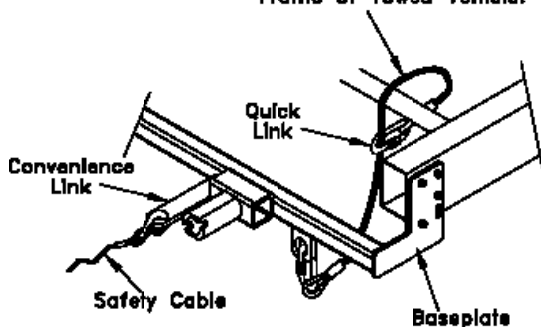
Permanent baseplate safety cables are strongly recommended when towing a vehicle with a tow bar. The principle function of the permanent baseplate safety cables is to prevent the towed vehicle from breaking loose in the event the connection between the frame of the towed vehicle and the baseplate fails or becomes disconnected. The cables must be connected from the baseplate to the frame rail or cross member of the vehicle's frame. The illustrations below show the possible arrangements recommended by Blue Ox®. Each permanent baseplate safety cable must have an adequate weight rating for the towing system. The weight rating of the two (2) cables together will not qualify.

***Do not mount the permanent baseplate safety cables against wires, hoses or brake lines.***

These permanent baseplate safety cables should remain installed as long as the baseplate is installed on the vehicle. Permanent baseplate safety cables are to be used in conjunction with, and NOT a replacement for legally required safety cables attaching the towed vehicle to the towing vehicle.

### OPTION #1

Permanent Baseplate Safety Cables to Cross Member or Frame of Towed Vehicle.



### OPTION #2

Permanent Baseplate Safety Cables to Cross Member or Frame of Towed Vehicle.

