



**BLUE OX®**

Baseplate Installation Instructions

BX2244

# 2006-08 Honda Pilot Installation Instructions

Serial Number

Please read BOTH these Installation Instructions and the General Instructions before attempting to install or operate this equipment.

- Blue Ox® towing products and accessories are intended to be installed by Blue Ox® Dealers who are familiar with our products and have the necessary equipment and knowledge to do "fit work". When necessary Blue Ox® Dealers can be found at [www.blueox.us](http://www.blueox.us) or by contacting our 24/7 Customer Care Department at (402) 385-3051 or toll free at (888) 425-5382.
- Many Blue Ox® baseplates are designed to use existing holes and hardware to mount the baseplate to the towed vehicle. Even though bolts are there, do not assume they are adequate for baseplate mounting. Always use hardware supplied in the hardware kit and existing hardware specified in the Baseplate Installation Instructions.

Attachment Tab Height: 25 1/2"

Attachment Tab Width: 28"

### Bolt Torque Specifications

Torque in Foot-Pounds per Metric Bolts

Bolt Size	Grade 8.8	Grade 10.9
6MM	6	8
8MM	16	22
10MM	31	40
12MM	54	70
14MM	89	117

Confirm the towability and pre-towing procedures for your vehicle with the owner's manual or contact the vehicle's manufacturer for specific towing procedures. You can also contact REMCO for additional information at 1(800)228-2481.

### Bolt Torque Specifications

Torque in Foot-Pounds per Inch Bolts

Bolt Size	Grade 5	Grade 8
1/4"	10	14
5/16"	19	29
3/8"	33	47
7/16"	54	78
1/2"	78	119
5/8"	154	230



## **! WARNING**

Failure to read and follow these instructions could result in separation of the towed vehicle from the tow bar, causing property damage, loss of towed vehicle, personal injury or death.

# BX2244

## 2006-08 Honda Pilot

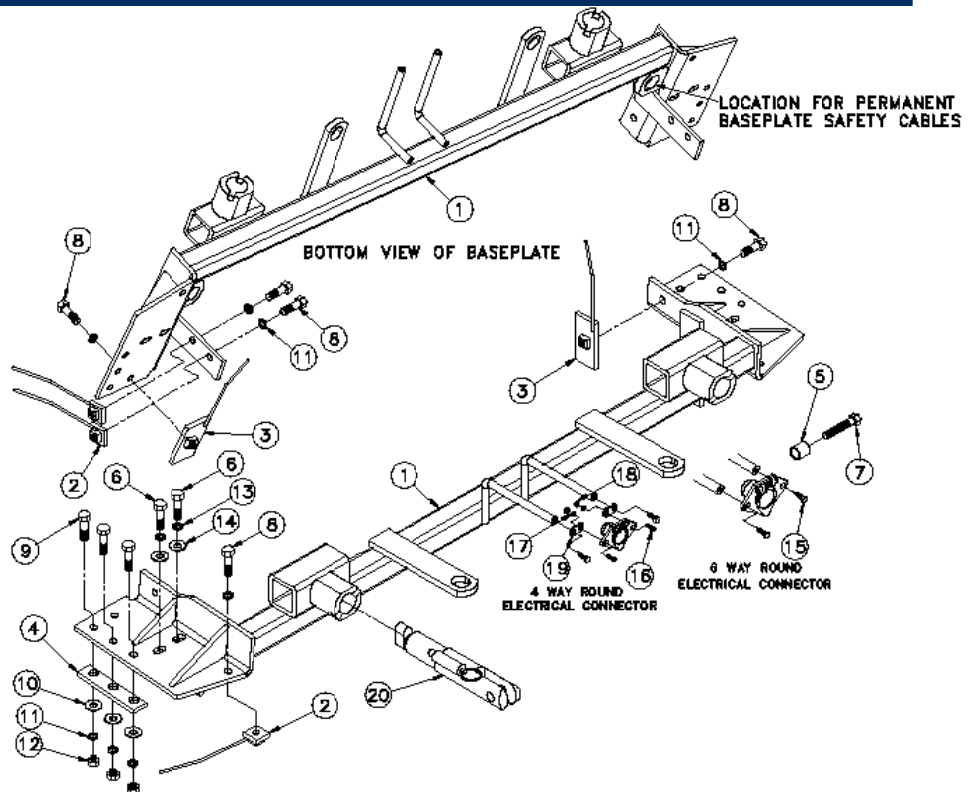
### Installation Instructions

### Parts List

Ref. No.	Qty.	Part #	Description
1	1	61-6211	Weldment, Baseplate, BX2244
2	6	61-5208	Weldment, 3/8-16 Nutplate w/ 14" Wire
3	4	61-5589	Weldment, 3/8-16 Nutplate w/ 14" Wire
4	2	102-6679	Backing Plate, BX2244
5	1	107-1768	Pipe, 3/8 Schd 40 x 3/4"
6	4	201-0446	8MM-1.25 x 30MM Hex Bolt, Grd. 8.8, ZP
7	1	201-0710	6MM -1 x 50MM Hex Bolt, Grd. 8.8, ZP
8	10	201-0440	3/8-16 x 1 1/2 Hex Bolt, Grd. 5, ZP
9	6	201-0368	3/8-16 x 1 1/4 Hex Bolt, Grd. 5, ZP
10	6	203-0003	3/8" Flat Washer, ZP
11	16	203-0010	3/8" Lock Washer, ZP
12	6	202-0003	3/8-16 Hex Nut, ZP
13	4	203-0102	8MM Lock Washer, ZP
14	4	203-0002	5/16" Flat Washer, ZP
15	2	201-0979	#12-14 x 1" Self Drilling Screw, ZP
16	2	201-0192	#10-32 x 1/2 Slot, Rd. Hd. Screw
17	2	203-0054	#10 Lock Washer
18	2	202-0047	#10-32 Hex Nut
19	2	101-5822	Adapter, 4 Way Connector
20	2	62-3468	Attachment, Assembly, SF/SB (R)
	2	226-0046	Baseplate Safety Cable, 36" CL III (N S)
	2	229-0359	Quicklink, 3/8, ZP (Not Shown)
	2	290-0437	Cap Plugs, Black (Not Shown)

### Tools Required

- 10MM Socket
- 12MM Socket
- 13MM Socket
- 9/16" Socket
- 13/32" Drill Bit
- Reciprocating Saw
- Pry Bar
- Phillips Screwdriver
- Vise Grip
- LOCTITE Red



### Important:

Use only genuine factory replacement parts on your baseplate. Do NOT substitute homemade or non-typical parts. If a bolt is lost or in need of replacement, for your safety and the preservation of your baseplate, be sure to use a replacement bolt of the same grade. In most cases it will be Grade 5. Please reference the parts list above. Replacement parts may be ordered through your nearest Blue Ox® dealer or distributor, or call our 24/7 Customer Care Team at (402)385-3051 or toll free (888) 425-5382.

# BX2244

## 2006-08 Honda Pilot

### Installation Instructions

#### Attachment Tabs:

Due to the design of the baseplate, the RangeFinder II and Adventurer tow bars can not be used. Adapters, except for the BX8833 and BX88151, can not be used.

#### Instructions:

The front fascia, metal bumper, headlights, and air baffle are removed and reinstalled during baseplate installation. Drilling is required.

The dimensional variations between otherwise identical vehicles can be considerable.

Although the baseplate was designed for easy installation, it may be necessary to tailor the baseplate slightly to compensate for auto manufacturer's tolerances. These minor adjustments may include filing a hole slightly, bending electrical rods, and/ or bending end plates.

The BX8869, Bulb and Socket Wiring Kit is recommended for this vehicle.

#### Installation Instructions:



1. Remove 15 pushpins from the plastic on top of the fascia. Set plastic and pushpins aside to reinstall later. The driver's side is shown in photo above.



2. Above the front tire, inside the wheel well on the edge of the fascia, remove one Phillips screw. Do this to both sides of the vehicle. Set screws aside to reinstall later.

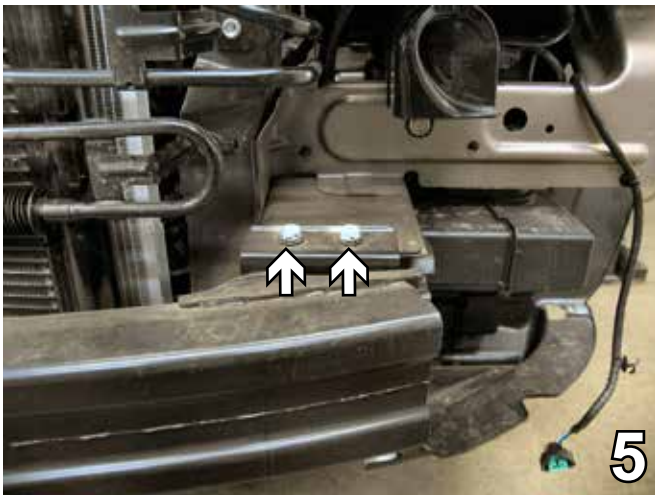
BX2244  
2006-08 Honda Pilot  
Installation Instructions



3. On the bottom edge of fascia, remove a pushpin and two metric bolts using a 10MM socket. Do this to both sides of the vehicle. Set pushpins and bolts aside to reinstall later.



4. Below the fascia-wide horizontal opening on the bottom of the fascia, remove three pushpins (see grey arrows in photo above). Pull upper corners of fascia outward, to the side of the vehicle, releasing three clips. Pull fascia forward, releasing it from clips under the headlight. Do this to both sides of the vehicle. Pull fascia forward to remove. Set pushpins, bolts, and fascia carefully aside to reinstall later.



5. Release the temperature sensor from its clip (not shown) found behind the metal bumper and set aside to reinstall later. Using a 12mm socket, remove two metric bolts from the top of the metal bumper. Do this to both sides of the vehicle. Set bolts aside to be reinstalled later.



6. Using a 12mm socket, remove one metric bolt from the bottom of the metal bumper. Do this to both sides of the vehicle. Pull the bumper forward to remove. Set bolts and metal bumper aside to be reinstalled later.

# BX2244

## 2006-08 Honda Pilot

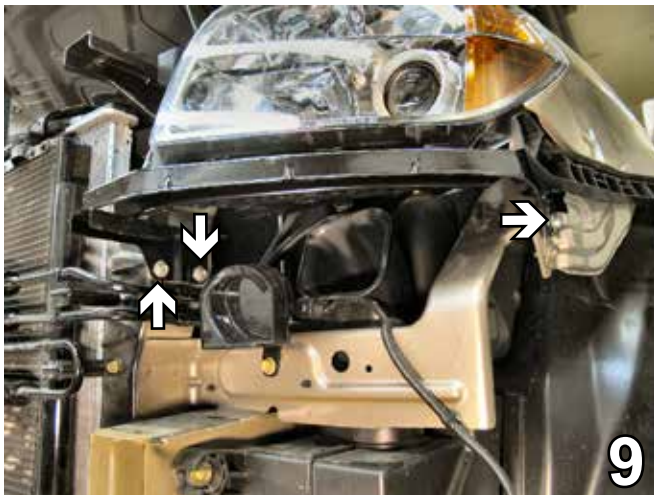
### Installation Instructions



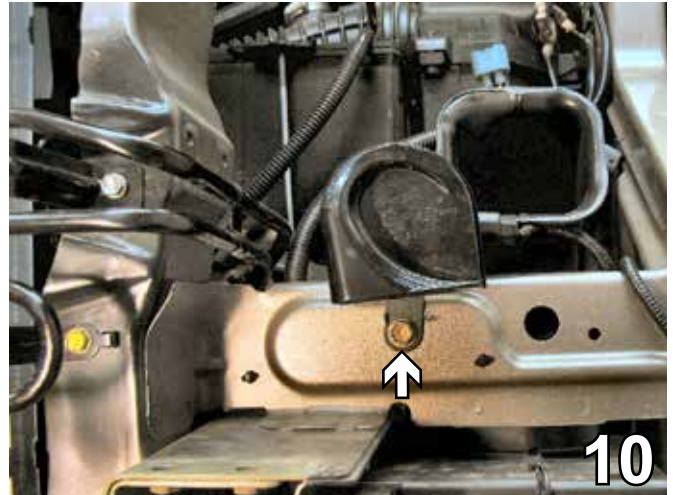
7. Lay the metal bumper's upper bracket on a solid metal surface. Pound the ridge on the bracket to flatten it and prepare it for baseplate installation. Do this to both sides of the metal bumper. Set bumper aside to reinstall later.



8. Using a 10MM socket, remove the metric bolt at the top of the headlight assembly. Remove the pushpin on top of the headlight assembly just above the front fender. Do this to both sides of the vehicle. Set bolts and pushpins aside to reinstall later.

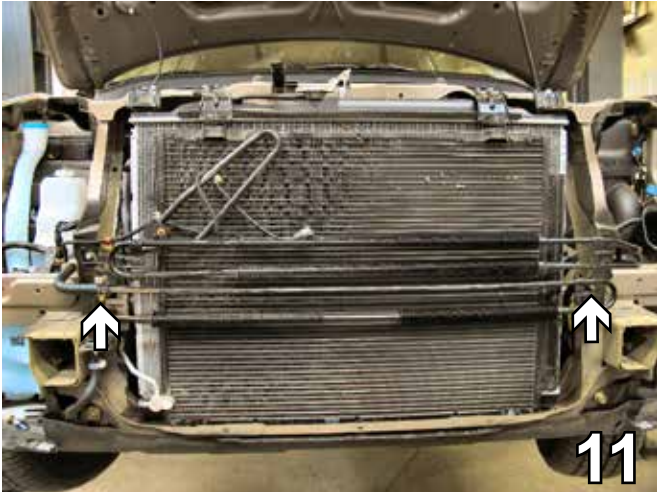


9. Using a 10mm socket, remove two metric bolts at the bottom of the headlight assembly near the radiator support (see square in photo above). On the bottom edge of headlight assembly, just below front fender, use a 10mm socket to remove one metric bolt. In the same area, remove one pushpin. Pull headlight assembly forward and disconnect electrical connections. Set bolts and headlight assembly aside to reinstall later. Do this to both sides of the vehicle.

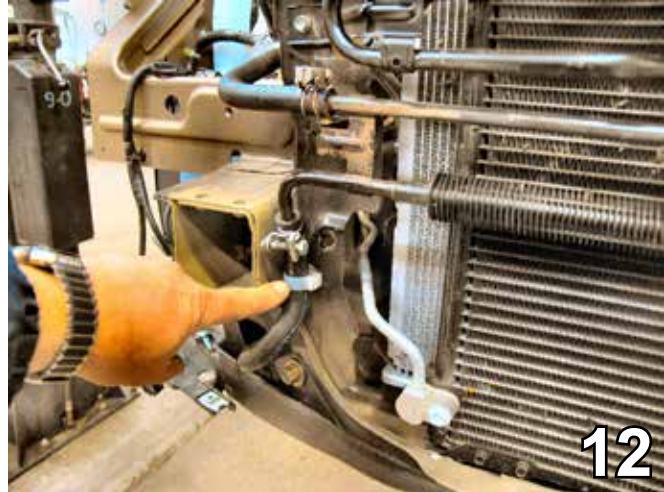


10. On the frame support, just forward of the air intake, use a 12mm socket to remove the bolt securing the horn bracket. Move the horn and bolt out of the way to open up this area for drilling. Do this to both sides of the vehicle.

BX2244  
2006-08 Honda Pilot  
Installation Instructions



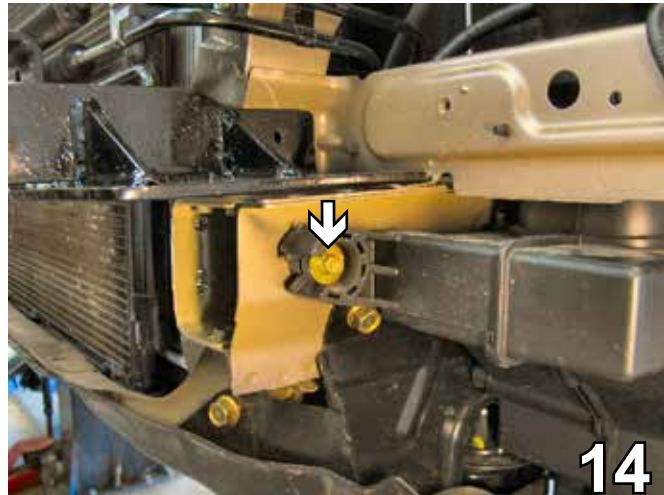
11. Using a 10mm socket, remove the two metric bolts securing the coolant line to either side of the radiator support. Set bolts aside to reinstall later.



12. On the passenger's side, release the hose clamp found near the frame rail and slide the hose out of the clamp. Swivel the coolant line and hose to the left of the radiator support – moving the coolant line and hose away from the frame rail to clear that area for drilling.



13. Mark and cut a section of the top bumper bracket edge that faces toward the center of bumper. Using the reciprocating saw, make a horizontal cut on the top of the bracket removing 3/8" from the end of the bracket. Do this to both sides of the bumper.

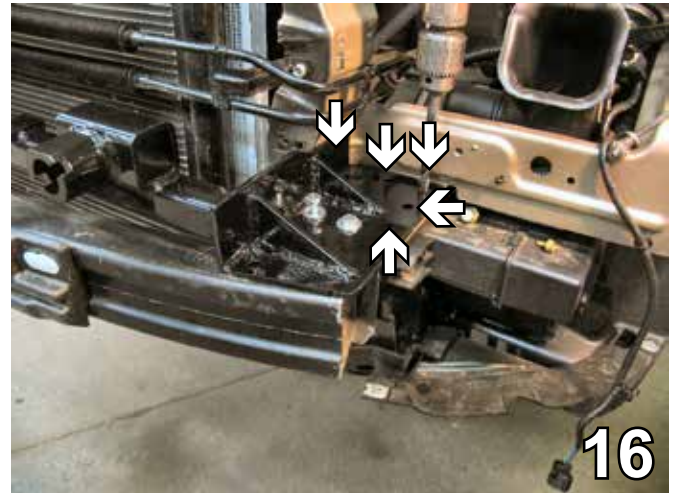


14. On the driver's side, using a 10mm socket, loosen the metric bolt securing the air intake baffle to the frame rail. Move the baffle down and out of the way to clear an area for drilling.

BX2244  
2006-08 Honda Pilot  
Installation Instructions

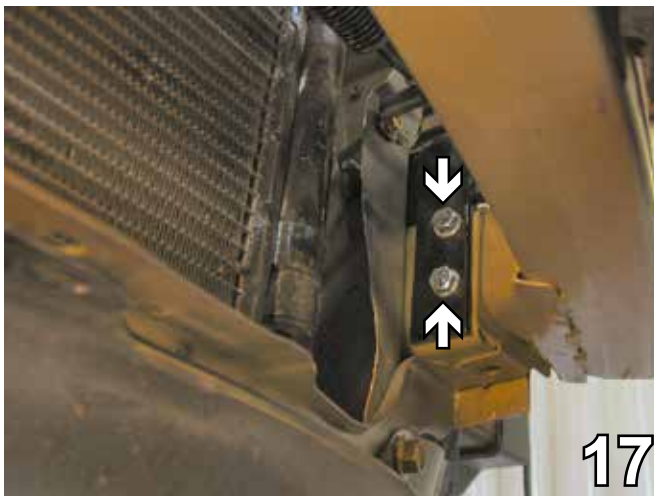


15. Slide the baseplate onto the top of the frame rail and guide the metal bumper between baseplate and the top of the frame rail. Align the two holes of the baseplate with the two holes on top of the metal bumper and frame. Insert two 8mm-1.25 x 30mm hex bolts and fasten (do not overtighten) with 8mm lock washer and 5/16" flat washer using a 13mm socket. Do **NOT** use Loctite yet.

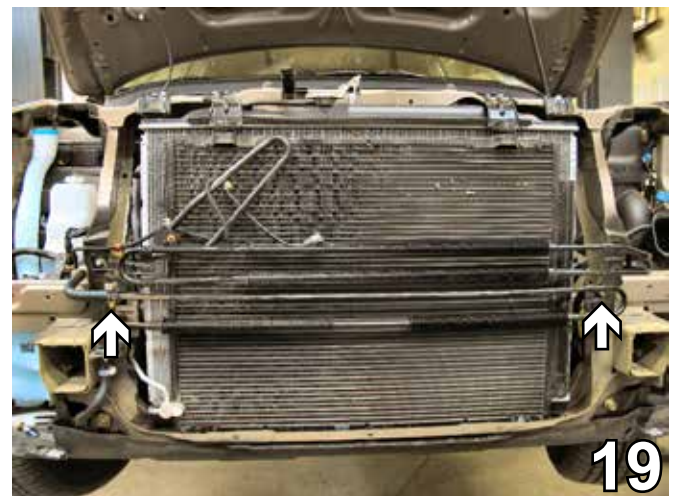


16. Using the baseplate as a template on the drivers side, begin drilling holes using the 13/32" drill bit. Do not insert any bolts at this time. Drill four holes into the frame rail, one into the radiator support, and one into the bumper from the top of the baseplate. Do this to both sides of the vehicle.

18. Remove the four hex bolts that join the bumper and the baseplate. Carefully remove the bumper and baseplate and set aside to reinstall later.

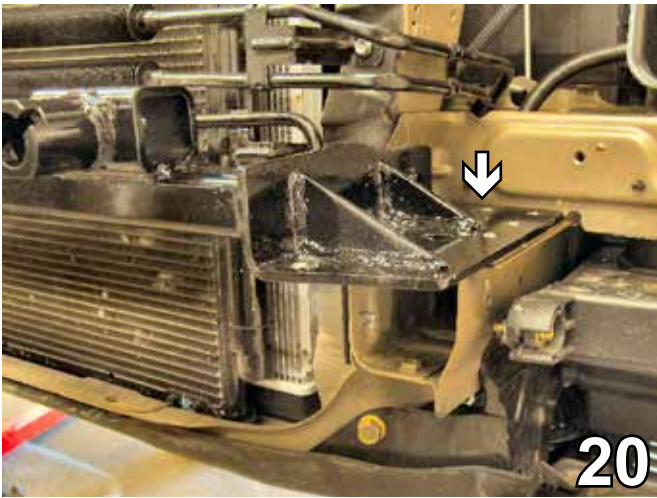


17. On the driver's side, on the side of the frame rail facing inward toward the radiator, use the 13/32" drill bit to drill two holes using the baseplate as a template. Do this to both sides of the vehicle. Do not insert any bolts yet. Bolts are only shown in photo for orientation.



19. Move coolant line back to its original position and bolt into place. Slide the hose back into the hose clamp.

BX2244  
2006-08 Honda Pilot  
Installation Instructions



20. Slide the baseplate onto the frame rail and align with the holes in the frame rail. With the bumper off, insert 3/8-16 nut plate into the frame opening to align with the drilled hole in the rear of the baseplate (closest to radiator support). Insert a 3/8-16 x 1 1/2 hex bolt and 3/8" lock washer and hand tighten to the nut plate. Do this to both sides of the vehicle.



21. With the bumper off, insert 3/8-16 nutplate into the frame opening to align with drilled holes on the side of the frame rail. Insert the two 3/8-16 x 1 1/2" hex bolts and 3/8" lock washers and hand tighten. Metal bumper is only shown in photo for orientation



22. Slide the metal bumper between baseplate and the frame to align baseplate, metal bumper and existing bolt locations for the metal bumper. Insert and tighten the two 8MM bolts, 3/8" lock washers, and 3/8" flat washers. Do this to both sides of the vehicle. **TIGHTEN ALL REMAINING BOLTS.**

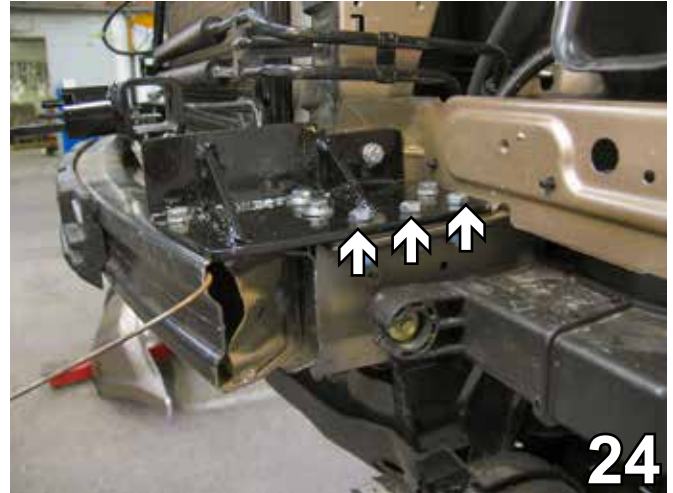
**\*\*BE SURE TO USE LOCTITE® RED ON ALL BOLTS BEFORE TIGHTENING. TIGHTEN ALL BOLTS ACCORDING TO THE TORQUE CHART ON THE FRONT PAGE OF THESE INSTRUCTIONS OR ON PAGE 3 OF THE BASEPLATE TOWING GENERAL INSTRUCTIONS.**



BX2244  
2006-08 Honda Pilot  
Installation Instructions



23. Put a pry bar or crow bar into the frame rail opening and create a larger opening for easier access to guide the nut plate through. Insert one 3/8-16 nut plate through the metal bumper opening and align with the hole in the top of the bumper and tighten to the hex bolt (see arrow). Do this to both sides of the vehicle. Arrow indicates hole that nutplate aligns with into bumper.



24. Insert three 3/8-16 x 1 ¼ hex bolts into the baseplate holes that and align the backing plate with bolts. Tighten with 3/8" flat washers, 3/8" lock washers, and 3/8-16 hex nuts. Do this to both sides of the vehicle.



25. Move the air intake baffle back to its original position. Using a 10mm socket, secure to the frame rail with a 3/8 spacer tube and 6mm-1 x 50 hex bolt.

26. Reinstall the temperature sensor, horns, headlight assemblies, and fascia. Insert all pushpins and bolts. Baseplate installation is now complete.

Install the tow bar and safety cables according to the instructions when demonstrating this to the customer. Be sure to include all the contents and packages.

Do **NOT** substitute other devices if the tow bar pins and clips are misplaced.

**DEALER or INSTALLER:**

**Be certain the user receives the instruction sheets for their products.**

# BX2244

## 2006-08 Honda Pilot

### Installation Instructions



## Customer Service Commitment

Blue Ox® is focused on providing exemplary customer service, as observed in our mission statement and guiding principles. In accordance with this objective, Blue Ox® is proud to provide services such as repairs and general maintenance of Blue Ox® products at over 150 RV Rallies. Look for our Destination America or Blue Ox® Racing service crews at the next rally or NASCAR race that you attend. If you were not present, you will find an informative, personalized note explaining any services that may have been performed to your Blue Ox® products.



With removable tabs installed.

Blue Ox® also offers educational seminars at rallies and through our Park and Resort teams. In addition, Blue Ox® customers visiting our factory may take advantage of the well-equipped Blue Ox® RV park at no charge to you, our valued and appreciated customer.



Without removable tabs installed.



© 2005 Blue Ox  
One Mill Road, Industrial Park  
Pender, Nebraska 68047  
Phone: (402) 385-3051  
Fax: (402) 385-3360  
www.blueox.us  
5/27/08

# General Information

1. Ensure that your product(s) are registered online at [www.blueox.com](http://www.blueox.com). It is crucial to register your product(s) so that you may be alerted of product offerings, updates, upgrades, maintenance and safety bulletins, and/or recalls.
2. **It is the owner's responsibility to inspect all towing equipment for cracked welds, missing or worn parts and loose bolts before each towing trip.** Be sure to use Loctite® Red on all bolts and tighten to the recommended specifications.
3. **It is the owner's responsibility to hook up all towing equipment per manufacturer's instructions/recommendations.**
4. Remove the attachment tabs when not in use (if applicable).

## Notice To Baseplate Installer

### 1. It is YOUR responsibility to watch for:

- Oil cooler and air conditioner lines
- Electrical wires and hoses
- Missing parts or attaching points on the frame

\*\* If the baseplate is improperly installed and is against a wire or hose, it could cause fluid leaks or electrical shorts some time after the actual baseplate installation.

## Permanent Baseplate Safety Cable Installation

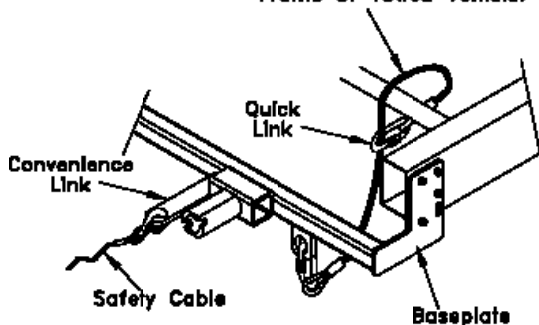
Permanent baseplate safety cables are strongly recommended when towing a vehicle with a tow bar. The principle function of the permanent baseplate safety cables is to prevent the towed vehicle from breaking loose in the event the connection between the frame of the towed vehicle and the baseplate fails or becomes disconnected. The cables must be connected from the baseplate to the frame rail or cross member of the vehicle's frame. The illustrations below show the possible arrangements recommended by Blue Ox®. Each permanent baseplate safety cable must have an adequate weight rating for the towing system. The weight rating of the two (2) cables together will not qualify.

***Do not mount the permanent baseplate safety cables against wires, hoses or brake lines.***

These permanent baseplate safety cables should remain installed as long as the baseplate is installed on the vehicle. Permanent baseplate safety cables are to be used in conjunction with, and NOT a replacement for legally required safety cables attaching the towed vehicle to the towing vehicle.

### OPTION #1

Permanent Baseplate Safety Cables to Cross Member or Frame of Towed Vehicle.



### OPTION #2

Permanent Baseplate Safety Cables to Cross Member or Frame of Towed Vehicle.

