



BX2525

2010-12 Mazda 5 Installation Instructions

Serial Number

Please read BOTH these Installation Instructions and the General Towing Instructions before attempting to install or operate this equipment.

- Blue Ox® towing products and accessories are intended to be installed by Blue Ox® Dealers who are familiar with our products and have the equipment and knowledge to do “fit work”. When necessary, Blue Ox® Dealers can be found at www.blueox.com or by contacting our Customer Care Department at (402) 385-3051.
- Many Blue Ox® baseplates are designed to use existing holes and hardware to mount the baseplate to the towed vehicle. Even though bolts are there, do not assume they are adequate for baseplate mounting. Always use hardware supplied in the hardware kit or existing hardware specified in the Baseplate Installation Instructions.

Attachment Tab Height: 14 1/2”
Attachment Tab Width: 24”

Bolt Torque Specifications
Torque in Foot-Pounds for Metric Bolts

Bolt Size	Grade 8.8	Grade 10.9
6MM	6	8
8MM	16	22
10MM	31	40
12MM	54	70
14MM	89	117

Confirm the towability and pre-towing procedures for your vehicle with the owner’s manual or contact the vehicle’s manufacturer for specific towing procedures.



If the front of your vehicle looks different than this, call us at (402) 385-3051.

Bolt Torque Specifications
Torque in Foot-Pounds for Inch Bolts

Bolt Size	Grade 5	Grade 8
1/4”	10	14
5/16”	19	29
3/8”	33	47
7/16”	54	78
1/2”	78	119
5/8”	154	230

! WARNING

Failure to read and follow these instructions could result in separation of the towed vehicle from the tow bar, causing property damage, loss of towed vehicle, personal injury or death.

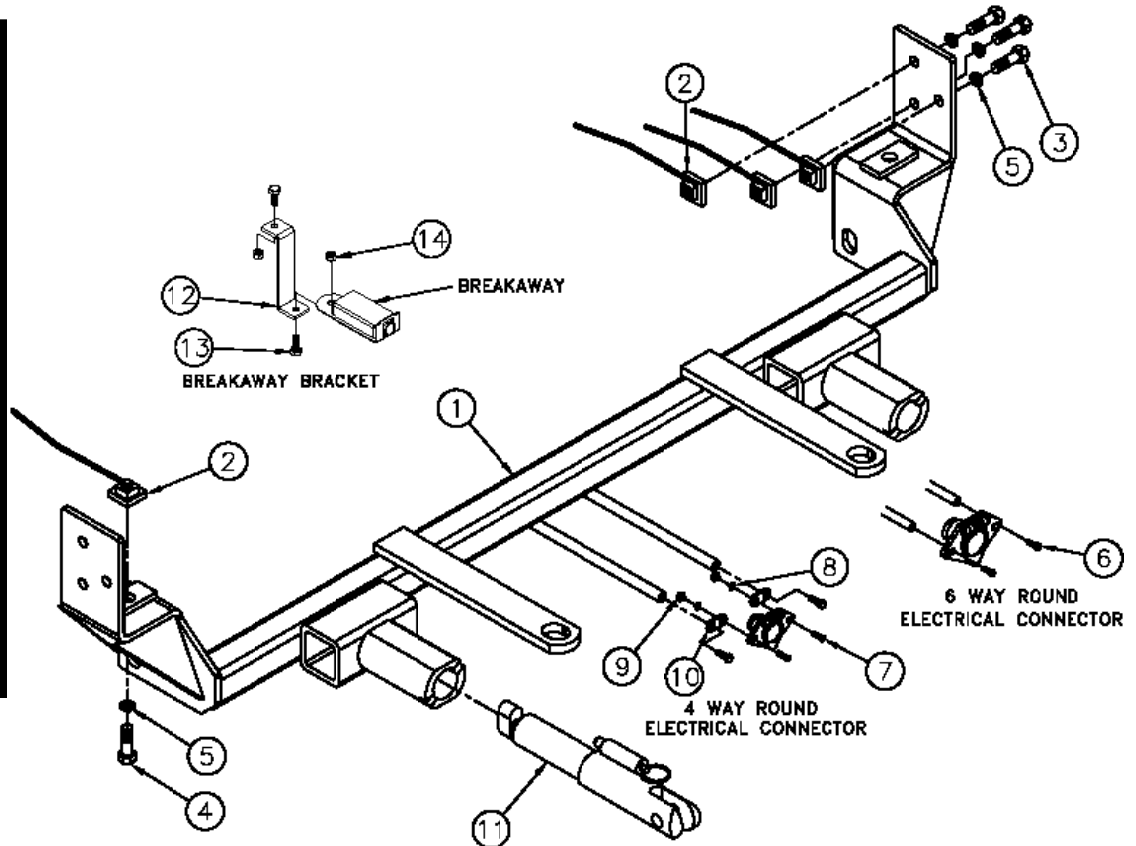
BX2525
2010-12 Mazda 5
Installation Instructions

Parts List

Ref. No.	Qty.	Part #	Description
1	1	61-6830	Weldment, Base Plate, BX2525
2	8	61-5208	3/8" Nut Plate, with Wire
3	6	201-0368	3/8-16 x 1 1/4" Hex Bolts, Grd. 5, ZP
4	2	201-0440	3/8-16 X 1 1/2 Hex Bolt, GRD.5, ZP
5	8	203-0010	3/8" Lock Washer, ZP
6	2	201-0979	#12-14 x 1" Self Drilling Screw, ZP
7	2	201-0192	#10-32 x 1/2 Slot, Rd. Hd. Screw
8	2	203-0054	#10 Lock Washer
9	2	202-0047	#10-32 Hex Nut
10	2	101-5822	Adapter, 4 Way Connector
11	2	62-3469	Attachment, Assembly, SF/LB (R)
12	1	102-7116	Breakaway Bracket, BX1986
13	2	201-0050	1/4-20 X 3/4 Hex Bolt Grd.5, ZP
14	2	202-0102	1/4-20 Hex Nylon Nut, ZP
	2	290-0437	Cap Plug, Black (Not Shown)
	2	226-0046	Permanent Baseplate Sfty Cbls (Not Shown)
	2	229-0359	Quick Link, ZP (Not Shown)

Tools Required

8MM Socket
10MM Socket
12MM Socket
9/16" Socket
Large Vise Grip
Drill
Flat Screwdriver
Phillips Screwdriver
Utility Knife
Torque Wrench
Tape Measure
1 1/4" Hole Saw
13/32" Drill Bit
Loctite® RED



Important:

Use only genuine factory replacement parts on your baseplate. Do **NOT** substitute homemade or non-typical parts. If a bolt is lost or in need of replacement, for your safety and the preservation of your baseplate, be sure to use a replacement bolt of the same grade (In most cases it will be Grade 5, please reference the parts list above). Replacement parts may be ordered through your nearest Blue Ox® Dealer or Distributor. Failing to follow and/or altering these installation instructions in either installation or required equipment will void the manufacturer's warranty.

BX2525
2010-12 Mazda 5
Installation Instructions

Attachment Tabs:

Due to the design of the removable tabs, the RangeFinder II tow bar can not be used. Adapters, except the BX8833 and BX88151, can not be used with this baseplate.

Installation Notes: The fascia, foglights, horn bracket, windshield washer reservoir, air dams and temperature sensor are removed for baseplate installation. Trimming of the washer reservoir is required. Drilling is required.

The dimensional variations between otherwise identical vehicles can be considerable. While the baseplate was designed for easy installation, it may be necessary to tailor the baseplate slightly to compensate for auto manufacturer's tolerances. These minor adjustments may include filing a hole slightly, bending electrical rods or bending end plates.

The BX8869 Bulb and Socket Wiring Kit is recommended for this vehicle.



Handling of some cosmetic parts when installing this product may require the use of protective covers, rags, specialty tools, etc. to prevent damage.

Installation Instructions:

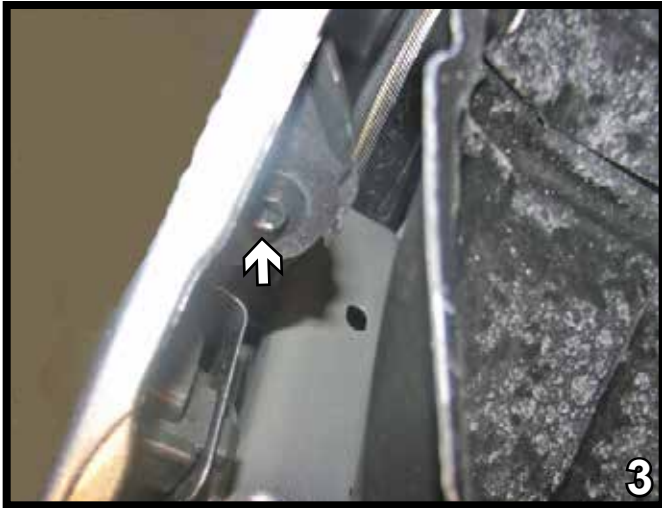


1. Remove two phillips screws from the top of the fascia (see white arrows). Using the flat screwdriver, pry up the pushpin tabs on top of the fascia to release and remove them (see grey arrows). Set screws and push pins aside to be reinstalled later.



2. Remove three phillips push pins from inside the wheel well, just forward of the front tire. Repeat for both sides of the vehicle. Set push pins aside to be reinstalled later.

BX2525
2010-12 Mazda 5
Installation Instructions



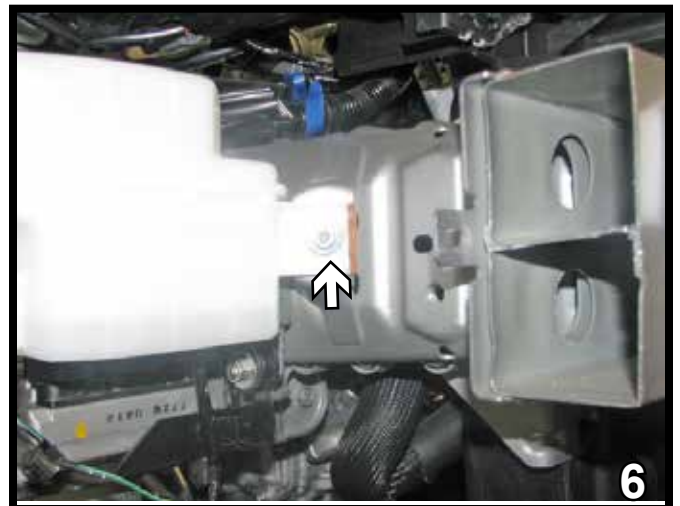
3. Pull wheel well cover aside to remove one metric bolt from fascia using the 8MM socket. Repeat for both sides of the vehicle. Set metric bolts aside to be reinstalled later.



4. Using the 8MM socket, remove ten metric bolts from the underside of fascia (four each side and two from the center). Lift up on tabs behind the top edge of fascia, pull fascia corners out to release clips and then forward to remove fascia. Disconnect foglights (if applicable). Set metric bolts and fascia aside carefully to be reinstalled later.

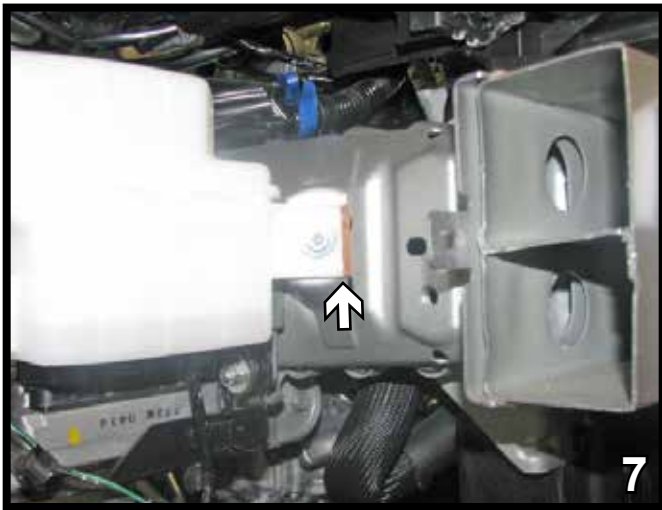


5. On the driver's side, remove one metric bolt (white arrow) from the horn bracket using the 12MM socket. Disconnect electrical and release the clip (gray arrow). Set horn bracket and metric bolt aside to be reinstalled later.

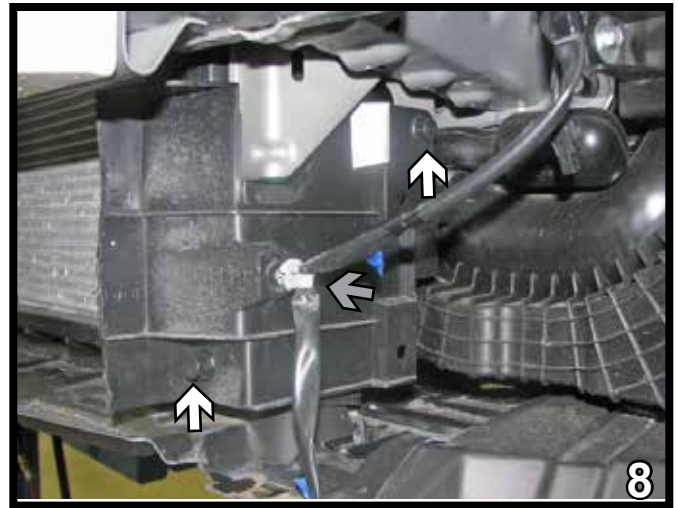


6. On the passenger's side, remove one metric bolt from the washer reservoir using the 10MM socket. Set metric bolt aside to be reinstalled later.

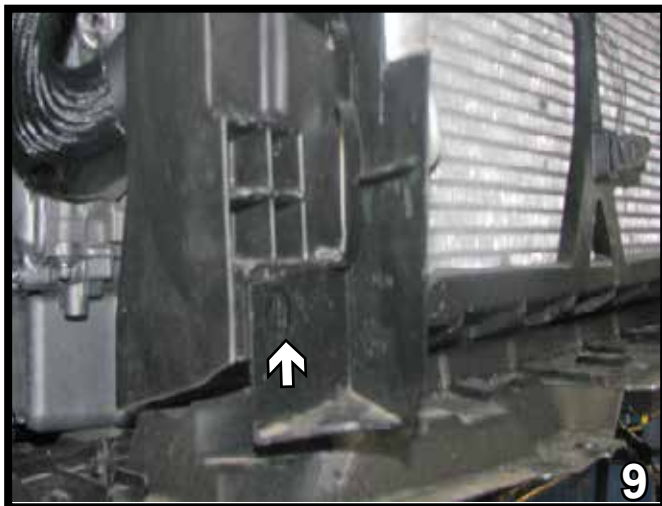
BX2525
2010-12 Mazda 5
Installation Instructions



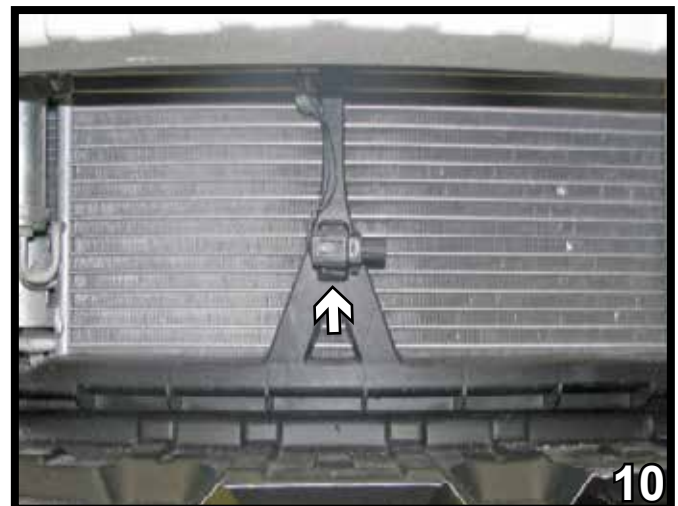
7. On the passenger's side washer reservoir, mark 1/4" in on the reservoir tab and trim away with the utility knife. Reinstall the washer reservoir to its original location.



8. On the driver's side air dam, remove the push pins (white arrows) on the front and on the side. Undo the hose clip (gray arrow). The air dam will not be reinstalled.

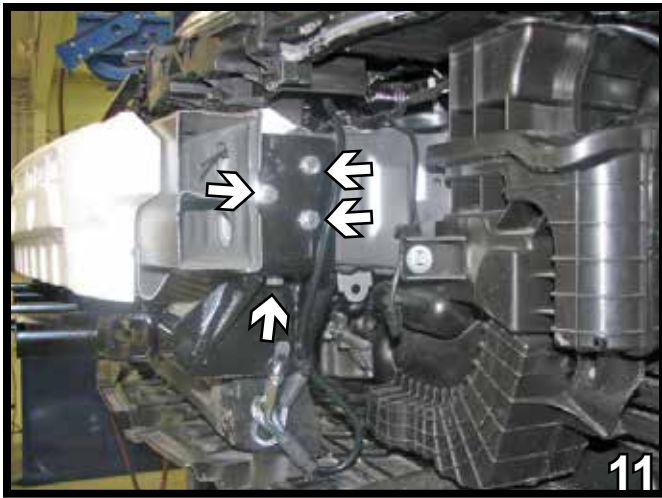


9. On the passenger side, remove one push pin on the front and remove the air dam. The air dam will not be reinstalled.



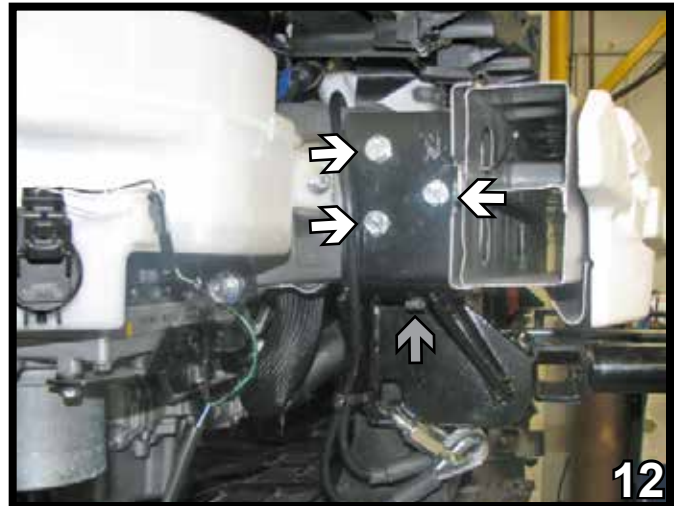
10. Just in front of the radiator, release the clips and disconnect the temperature sensor. It will be relocated later.

BX2525
2010-12 Mazda 5
Installation Instructions



11. Slide the baseplate onto the frame rails as high as you can and as far forward as possible and clamp in place. Using the baseplate as a template, drill three holes into the side of the frame rail and one on the bottom with the 13/32" drill bit. Repeat for both sides of the vehicle.

When using power drills be aware of the dangers of torque and drill bit length.



12. Insert the 3/8-16 nut plates into the frame rail to align with baseplate holes. Starting with the hole on the bottom of the frame, install 3/8-16 x 1 1/2" hex bolts (gray arrow) and 3/8" lock washers and tighten to nut plates. Use 3/8-16 x 1 1/4" hex bolts in the side holes (white arrows). Be sure to use Loctite Red on all bolts. Repeat for both sides of the vehicle.

BE SURE TO USE LOCTITE® RED ON ALL BOLTS BEFORE TIGHTENING. TIGHTEN ALL BOLTS ACCORDING TO THE TORQUE CHART ON THE FRONT PAGE OF THESE INSTRUCTIONS OR ON PAGE 3 OF THE BASEPLATE TOWING GENERAL INSTRUCTIONS.



13. Slide a backing plate behind the brace in front of the radiator. Drill a 3/8" hole and reattach the temperature sensor.

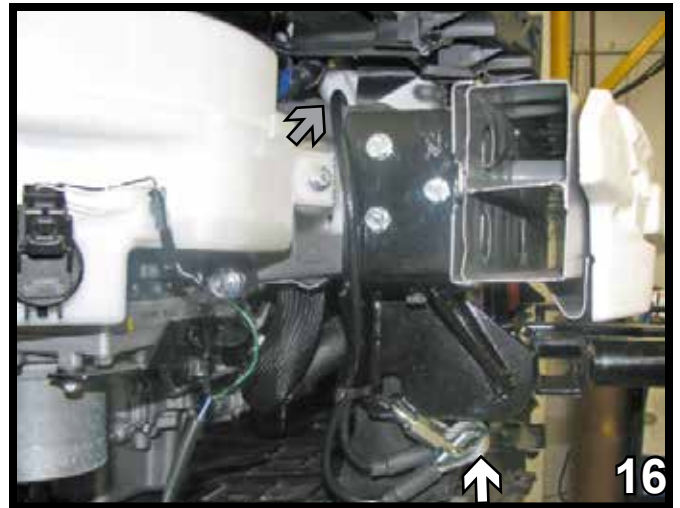


14. Turn the horn bracket over and trim so that it will fit beside the baseplate.

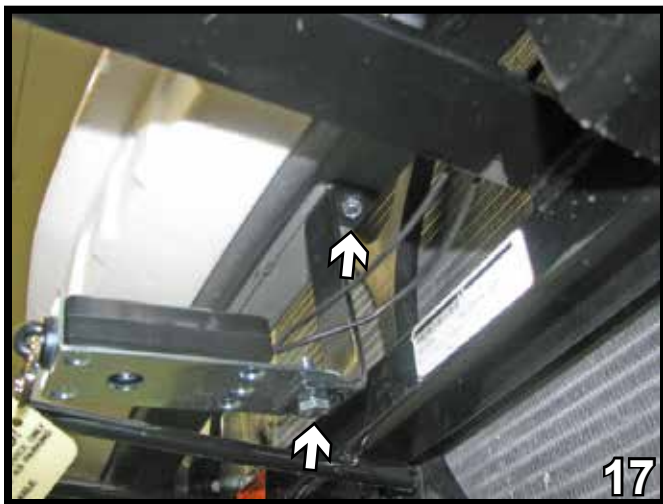
BX2525
2010-12 Mazda 5
Installation Instructions



15. On the driver's side, reverse the horn bracket. Remove the little tab at the top. Use the existing bolt to reattach.



16. Attach the permanent baseplate safety cables to the provided convenience link on the baseplate (see white arrow). The photo above shows the recommended installation of the permanent baseplate safety cables to frame of the vehicle (see grey arrow). If the vehicle has additional options, not shown above, which interfere with mounting the permanent baseplate safety cables, secure the cable to a solid piece of the vehicle's frame as described in the instructions included with the permanent baseplate safety cables.



17. Attach the bracket to the bottom of the vehicle bumper and the breakaway to the bracket with 1/4-20 x 3/4" hex bolts and 1/4-20 hex nuts.

19. Reinstall the fascia, foglights, push pins, screws and bolts.

Install the tow bar and safety cables according to the instructions provided in their packages. When demonstrating this to the customer, be sure to include all the contents and packages.

Do **NOT** substitute other devices if the tow bar pins and clips are misplaced.



18. Hold the fascia up to its original position, mark and trim the grille to allow the attachment tabs and convenience links to come through.

BX2525
2010-12 Mazda 5
Installation Instructions

Be sure that **ALL** electrical connections are plugged in properly and functioning **BEFORE** installing the fascia.



Shown without removable tabs installed.



Shown with removable tabs installed.

If the baseplate is in an accident, it must be replaced. **DO NOT** use it again! An accident can cause unseen damage and using it again could result in more damage or serious injury. **DO NOT** use the baseplate if it is damaged or missing parts.

DEALER or INSTALLER:

Be certain the user receives the instruction sheets for their products.

CUSTOMER SERVICE COMMITMENT

Blue Ox is committed to providing you with exceptional customer care throughout your lifetime with our products. Our team is here to assist you with any questions you may have regarding the performance of your product. Simply call 1-402-385-3051 and you can speak with our customer care team.

Additionally, please visit our website to see which rallies our Destination America team will be attending. For a nominal fee, our service technician will service your towing system to ensure it's in proper working condition. Also, as a commitment to our customers, should you visit our factory you can stay at our full service Blue Ox campground at no charge along with enjoying a factory tour.

Again, thank you for being our customer and for the confidence you have shown in the performance of our products. It is because of customers like you we enjoy the success we have today.



© 2011 Blue Ox
One Mill Road, Industrial Park
Pender, Nebraska 68047

Phone: (402) 385-3051 • Fax: (402) 385-3360
www.blueox.com

General Information

1. Ensure that your product(s) are registered online at www.blueox.com. It is crucial to register your product(s) so that you may be alerted of product offerings, updates, upgrades, maintenance and safety bulletins, and/or recalls.
2. **It is the owner's responsibility to inspect all towing equipment for cracked welds, missing or worn parts and loose bolts before each towing trip.** Be sure to use Loctite® Red on all bolts and tighten to the recommended specifications.
3. **It is the owner's responsibility to hook up all towing equipment per manufacturer's instructions/recommendations.**
4. Remove the attachment tabs when not in use (if applicable).

Notice To Baseplate Installer

1. It is YOUR responsibility to watch for:

- Oil cooler and air conditioner lines
- Electrical wires and hoses
- Missing parts or attaching points on the frame

** If the baseplate is improperly installed and is against a wire or hose, it could cause fluid leaks or electrical shorts some time after the actual baseplate installation.

Permanent Baseplate Safety Cable Installation

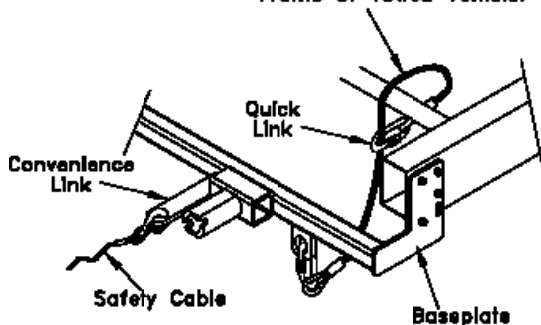
Permanent baseplate safety cables are strongly recommended when towing a vehicle with a tow bar. The principle function of the permanent baseplate safety cables is to prevent the towed vehicle from breaking loose in the event the connection between the frame of the towed vehicle and the baseplate fails or becomes disconnected. The cables must be connected from the baseplate to the frame rail or cross member of the vehicle's frame. The illustrations below show the possible arrangements recommended by Blue Ox®. Each permanent baseplate safety cable must have an adequate weight rating for the towing system. The weight rating of the two (2) cables together will not qualify.

Do not mount the permanent baseplate safety cables against wires, hoses or brake lines.

These permanent baseplate safety cables should remain installed as long as the baseplate is installed on the vehicle. Permanent baseplate safety cables are to be used in conjunction with, and NOT a replacement for legally required safety cables attaching the towed vehicle to the towing vehicle.

OPTION #1

Permanent Baseplate Safety Cables to Cross Member or Frame of Towed Vehicle.



OPTION #2

Permanent Baseplate Safety Cables to Cross Member or Frame of Towed Vehicle.

