



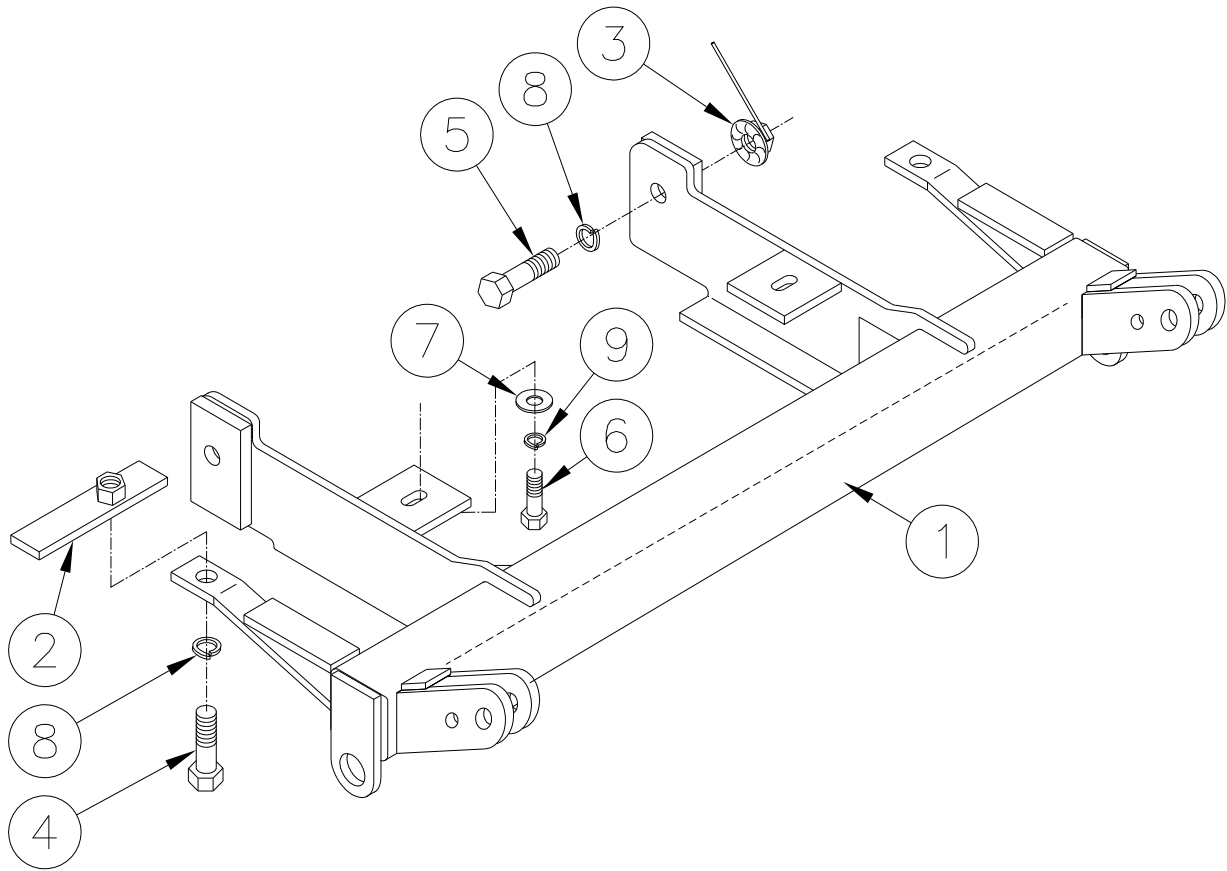
BX3509 Installation Instructions

1996-98 Suzuki Sidekick Sport

Installation of this baseplate requires trimming the plastic ribs on the inside of the plastic bumper and drilling 17/32" holes in the chassis.

1. Read the General Instruction Sheet included with this baseplate.
2. The baseplate mounts to the front underside of the chassis using six bolts, three per side, These bolts are provided in the kit.
3. The baseplate has two heavy inside arms and two outside struts. The inside arms slide up between the two vertical towers of the vehicle which are the forward attachment points for the suspension "A" arms. Properly positioned, the tow bar attachment tabs angle "up".
4. Just behind the bumper there is a chassis cross beam with two vertical threaded holes. The two smallest baseplate holes align with these 8MM holes.
5. There is a plastic bumper which ends just forward of the 8MM holes. This plastic must be compressed up against the bottom of the frame to install the baseplate. On the inside of the plastic there are three (3) vertical ribs which will prevent the plastic from being compressed. These ribs need to have about one inch trimmed off to allow the plastic to be pushed flat against the bottom of the frame.
6. Using the two 8MM bolts provided (Ref. # 10) temporarily position the baseplate by inserting and firmly tightening the bolts.
7. Using the baseplate as a template, take a 17/32" transfer punch and center punch the four large holes on the chassis to match those on the baseplate. There are two horizontal holes on the inside of the "A" arm towers (located by the heavy arms), and two vertical holes on the chassis cross beam (located by the struts).
8. Remove the baseplate and pilot drill all four holes through one side only. Finish drilling using a 17/32" diameter drill. Remove Burrs.
9. Reposition the baseplate loosely with 8MM bolts (7), 8MM lock washers (10), and 3/8 flat washers (8). Apply Loctite on the threads.
10. Insert the 1/2" x 1-3/4" bolts (6) into the two horizontal holes on the heavy arms using 1/2" Lock Washers (9) and Loctite. Slide the 1/2" wire nuts (3) up inside the tower. Start the bolts and secure loosely.
11. Verify that the 1/2" x 1-1/4" bolts (5) engage the nut plates (2).
12. Slide each of the nut plates (2) up inside the chassis cross beam using the oval holes, just forward and outside the struts for access. The short side of the plate goes in first and the nut is on top. Using a flashlight, position the plate so the nut is directly above the strut hole. Place a 1/2" Lock Washer (9) and Loctite on each 1/2" x 1-3/4" bolt (6) and hand start each bolt into the vertical strut holes and Nut Plates.
13. Tighten all bolts firmly
14. Install tow bar and safety cables according to the instructions included in their packages.
15. Do not substitute other devices if the tow bar pin and clip are lost.
16. **DEALER OR INSTALLER: BE CERTAIN USER RECEIVES INSTRUCTION SHEET.**

Automatic



Parts List

Ref. No.	Qty.	Part No.	Description
1	1	61-4795	Weldment, Baseplate, BX3509
2	2	61-3522	Weldment, Nut Holder
3	2	61-4029	Weldment, 1/2" Nut Wire
4	2	201-0011	1/2" x 1-1/4" Hex Head Bolt, Grade 5
5	2	201-0068	1/2" x 1-3/4" Hex Head Bolt, Grade 5
6	2	201-0446	8MM - 1.25 x 30MM Hex Bolt, Grade 8.8
7	2	203-0003	3/8" Flat Washer
8	4	203-0012	1/2" Lock Washer
9	2	203-0102	8MM Lock Washer
	2	226-0046	Baseplate Safety Cable, 36" CL III (Not Shown)
	4	229-0359	Quicklink, 3/8, ZP (Not Shown)

General Information

1. Ensure that your product(s) are registered online at www.blueox.com. It is crucial to register your product(s) so that you may be alerted of product offerings, updates, upgrades, maintenance and safety bulletins, and/or recalls.
2. **It is the owner's responsibility to inspect all towing equipment for cracked welds, missing or worn parts and loose bolts before each towing trip.** Be sure to use Loctite® Red on all bolts and tighten to the recommended specifications.
3. **It is the owner's responsibility to hook up all towing equipment per manufacturer's instructions/recommendations.**
4. Remove the attachment tabs when not in use (if applicable).

Notice To Baseplate Installer

1. It is YOUR responsibility to watch for:

- Oil cooler and air conditioner lines
- Electrical wires and hoses
- Missing parts or attaching points on the frame

** If the baseplate is improperly installed and is against a wire or hose, it could cause fluid leaks or electrical shorts some time after the actual baseplate installation.

Permanent Baseplate Safety Cable Installation

Permanent baseplate safety cables are strongly recommended when towing a vehicle with a tow bar. The principle function of the permanent baseplate safety cables is to prevent the towed vehicle from breaking loose in the event the connection between the frame of the towed vehicle and the baseplate fails or becomes disconnected. The cables must be connected from the baseplate to the frame rail or cross member of the vehicle's frame. The illustrations below show the possible arrangements recommended by Blue Ox®. Each permanent baseplate safety cable must have an adequate weight rating for the towing system. The weight rating of the two (2) cables together will not qualify.

Do not mount the permanent baseplate safety cables against wires, hoses or brake lines.

These permanent baseplate safety cables should remain installed as long as the baseplate is installed on the vehicle. Permanent baseplate safety cables are to be used in conjunction with, and NOT a replacement for legally required safety cables attaching the towed vehicle to the towing vehicle.

OPTION #1

Permanent Baseplate Safety Cables to Cross Member or Frame of Towed Vehicle.



OPTION #2

Permanent Baseplate Safety Cables to Cross Member or Frame of Towed Vehicle.

