



# BX3522

## 2007-12 Suzuki SX4 Installation Instructions

Serial Number

**Please read BOTH these Installation Instructions and the General Instructions before attempting to install or operate this equipment.**

- Blue Ox® towing products and accessories are intended to be installed by Blue Ox® Dealers who are familiar with our products and have the equipment and knowledge to do “fit work”. When necessary Blue Ox® Dealers can be found at [www.blueox.com](http://www.blueox.com) or by contacting our Customer Care Department at (402) 385-3051.
- Many Blue Ox® baseplates are designed to use existing holes and hardware to mount the baseplate to the towed vehicle. Even though bolts are there, do not assume they are adequate for baseplate mounting. Always use hardware supplied in the hardware kit and existing hardware specified in the Baseplate Installation Instructions.

Attachment Tab Height: 16”  
Attachment Tab Width: 20 1/2”

<b>Bolt Torque Specifications</b>		
Torque in Foot-Pounds for Metric Bolts		
Bolt Size	Grade 8.8	Grade 10.9
6MM	6	8
8MM	16	22
10MM	31	40
12MM	54	70
14MM	89	117

Confirm the towability and pre-towing procedures for your vehicle with the owner’s manual or contact the vehicle’s manufacturer for specific towing procedures.

<b>Bolt Torque Specifications</b>		
Torque in Foot-Pounds for Inch Bolts		
Bolt Size	Grade 5	Grade 8
1/4”	10	14
5/16”	19	29
3/8”	33	47
7/16”	54	78
1/2”	78	119
5/8”	154	230



**If the front of your vehicle looks different than this, call us at (402) 385-3051.**

## WARNING

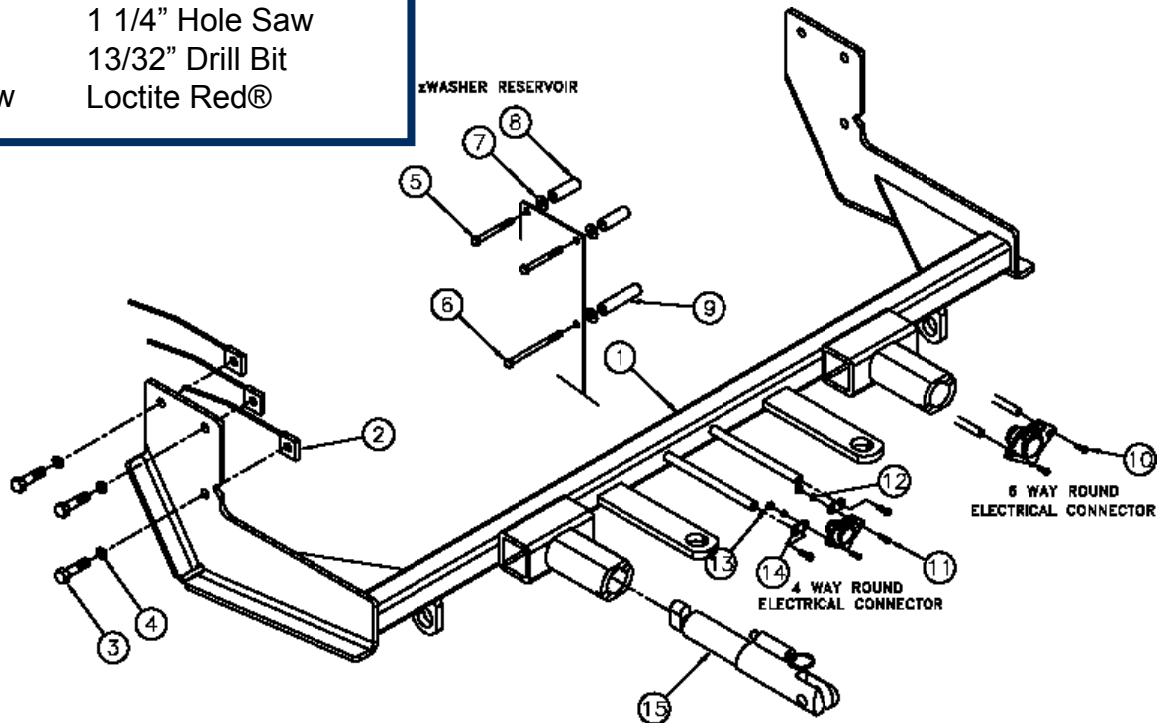
Failure to read and follow these instructions could result in separation of the towed vehicle from the tow bar, causing property damage, loss of towed vehicle, personal injury or death.

## Parts List

Ref. No.	Qty.	Part #	Description
1	1	61-6338	Weldment, Baseplate, BX3522
2	6	61-5208	Weldment, 3/8-16 Nutplate, w/ 14" Wire
3	6	201-0440	3/8-16 x 1 1/2" Hex Bolt, Grd. 5, ZP
4	6	203-0010	3/8" Lock Washer, ZP
5	2	201-0798	6MM -1.0 x 30MM Hex Bolt, Grd. 8.8, ZP
6	1	201-0709	6MM-1MM X 80MM H.Bolt, Grd 8.8, ZP
7	3	203-0001	1/4" Flat Washer, ZP
8	2	106-0369	Pipe, 3/8" Sch. 40 x 1 1/2"
9	1	107-3087	Tube, 3/4"OD X .120W X 2.500"
10	2	201-0979	#12-14 x 1" Self Drilling Screw, ZP
11	2	201-0192	#10-32x1/2" Slot, Rd. Hd. Screw
12	2	203-0054	#10 Lock Washer
13	2	202-0047	#10-32 Hex Nut
14	2	101-5822	Adaptor, 4 Way Connector
15	2	62-3469	Att Tab Assy, Rem, SF/LB, 1 Hole
	2	290-0437	Cap Plug (Not Shown)
	2	226-0046	Permanent Baseplate Safety Cables (Not Shown)
	2	229-0359	3/8" Quick Links, ZP (Not Shown)

## Tools Required

10MM Socket	Phillips Screw Driver
12MM Socket	Utility Knife
9/16" Socket	1 1/4" Hole Saw
Vise Grips	13/32" Drill Bit
Reciprocating Saw	Loctite Red®



### Important:

Use only genuine factory replacement parts on your baseplate. Do NOT substitute homemade or non-typical parts. If a bolt is lost or in need of replacement, for your safety and the preservation of your baseplate, be sure to use a replacement bolt of the same grade (In most cases it will be Grade 5, please reference the parts list above). Replacement parts may be ordered through your nearest Blue Ox® Dealer or Distributor, or call our Customer Care Team at (402)385-3051. Failing to follow and/or altering these installation instructions in either installation or required equipment will void the manufacturer's warranty.



# BX3522

## 2007-12 Suzuki SX4

### Installation Instructions

### Attachment Tabs:

Due to the design of the removable tabs, the RangeFinder II, Acclaim and Ambassador tow bars can not be used. Adapters, except the BX8833 and BX88151, can not be used with this baseplate.

### Installation Notes:

The fascia, metal bumper, the air bag sensor, and headlight assemblies are removed and reinstalled during installation of the baseplate. Drilling is required. Trimming of the fascia is required.

Some vehicles fascias may need trimming. The dimensional variations between otherwise identical vehicles can be considerable. While the baseplate was designed for easy installation, it may be necessary to tailor the baseplate slightly to compensate for auto manufacturer's tolerances. These minor adjustments may include filing a hole slightly, bending electrical rods or bending end plates.

The BX8869 Bulb and Socket Wiring Kit is recommended for this vehicle.



Possible location for the BX8869 Bulb and Socket Wiring Kit.

### Installation Instructions:



1. Remove four metric bolts with a 10MM socket or a Phillips screw driver. Set bolts aside to be reinstalled later.



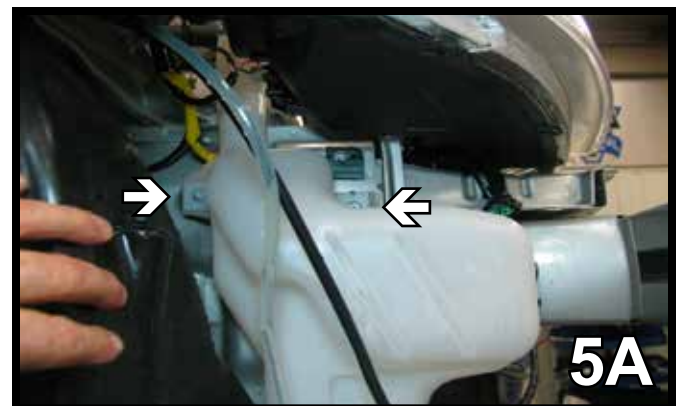
2. Just forward of the front tire, inside the wheel well, remove pushpin and Phillips screw. Do this to both sides of the vehicle. Set push pins and screws aside to reinstall later.

Handling of some cosmetic parts when installing this product may require the use of protective covers, rags, specialty tools, etc. to prevent damage.





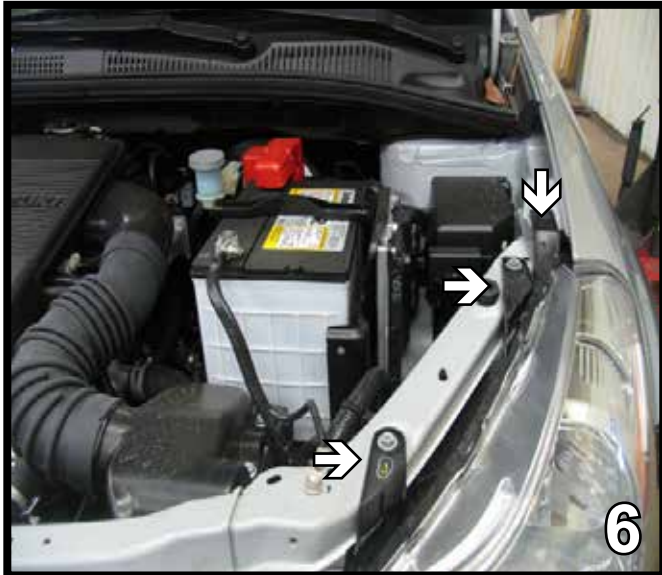
3. Just forward of the front tire, on the bottom side of the fascia, remove three Phillips screws from both sides of the vehicle. Then remove one Phillips screw and two metric bolts from the center of the fascia using a 10MM socket or Phillips screw driver. Set screws and bolts aside to reinstall later.



4. To remove fascia, pull it out to the side and forward a little bit. Once fascia is forward there are two clips on top to be removed by pushing in on the fascia and lifting up on the clips to get them over the stops. Set fascia aside carefully to reinstall later.



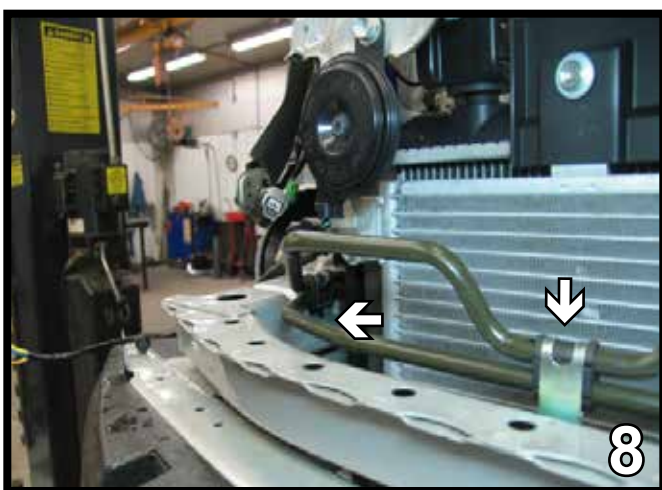
5. Using a 10MM socket, remove two metric bolts on top and one metric bolt on the bottom. You will then need to plug the hoses and disconnect the electrical. Set washer reservoir aside to reinstall later.



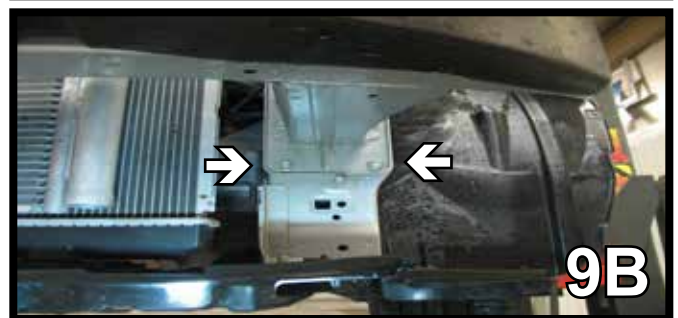
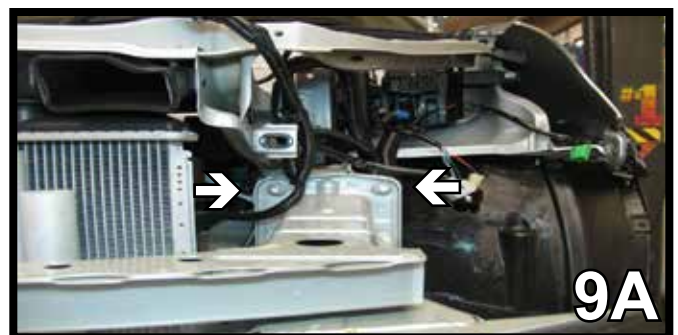
6. Using a 10MM socket, remove two metric bolts on top and one metric bolt on the bottom of the headlight assembly. There is also a pushpin in the same area as the top bolts that needs to be removed. Pull the headlight assembly forward to remove and disconnect the electrical connections. Do this to both sides of the vehicle. Set bolts, pushpin and headlight assembly aside to reinstall later.



7. Disconnect wire connections from the right and left side of the bumper, as well as the sensors located underneath the bumper.



8. Using a 10MM socket, remove two metric bolts from the coolant line. One bolt is located on the back side of the bumper and the other is located on the inside of the bumper on the right side. Set bolts aside to be installed later.

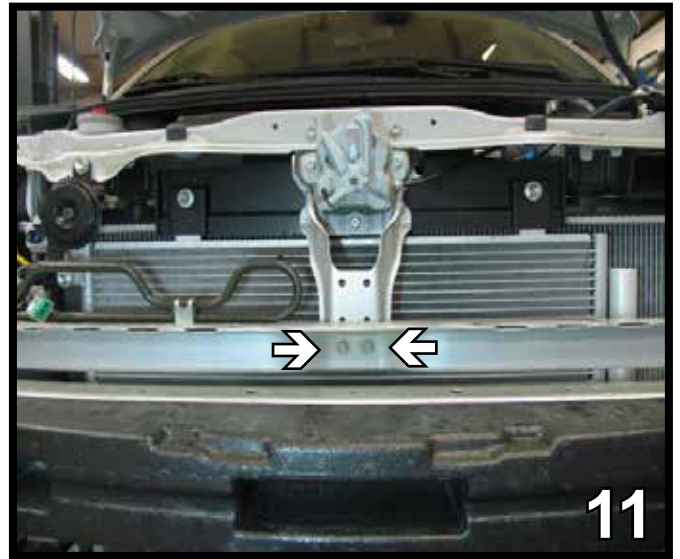


9. Using a 12MM socket, remove two metric bolts from the top and bottom of the bumper. Do this to both sides of the vehicle. Set bolts aside to be installed later.

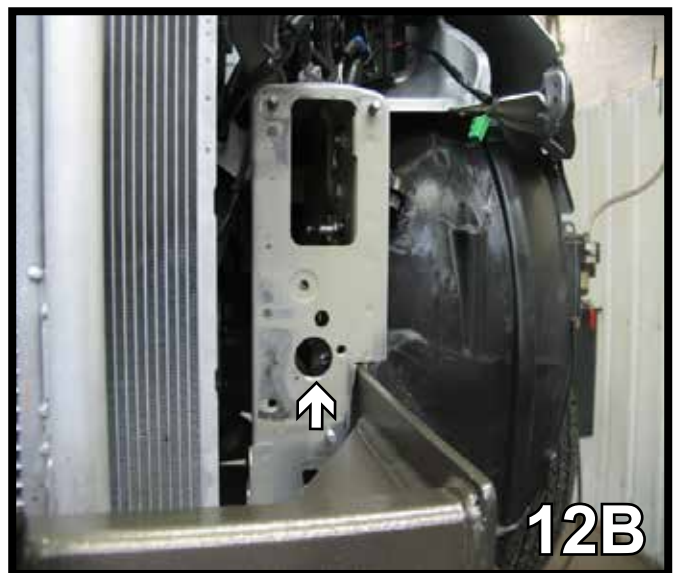
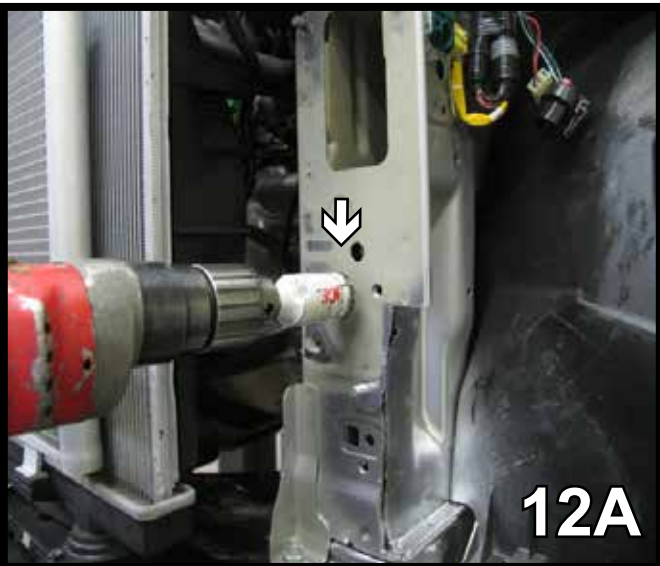




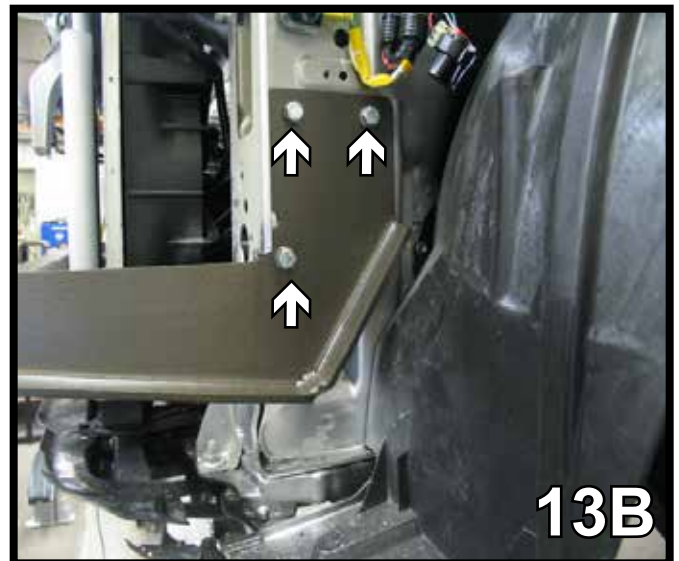
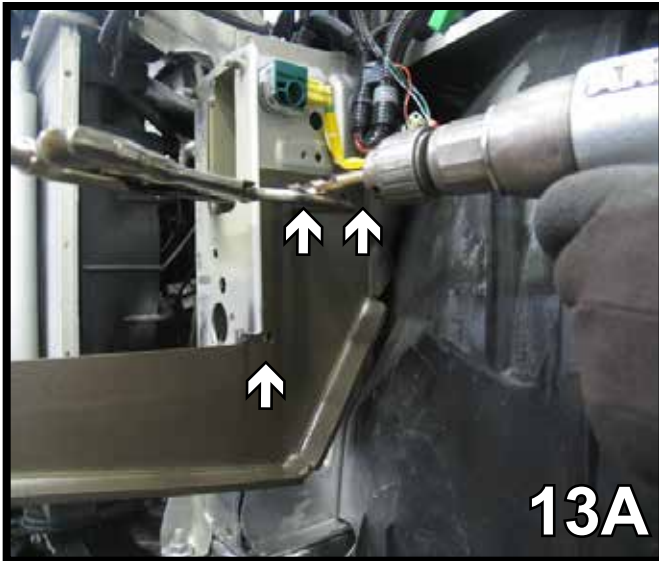
10. Using a marker, make a horizontal line just below the metal bumper. Then with a reciprocating saw, cut into the edge of the frame well and follow it down to the bottom and out. It's very important to follow the frame well because it offsets down at the top. You will then be able to remove that whole portion of the frame well webbing. Do this to both sides of the vehicle.



11. Using a 10MM socket, remove two metric bolts from the center of the bumper. Carefully remove bumper and set aside with bolts to be reinstalled later.



12. Using a 1 1/4" hole saw, drill a hole just to the off side of the threaded hole so you can get into the lower portion of the frame to position a nut plate. Do this to both sides of the vehicle.



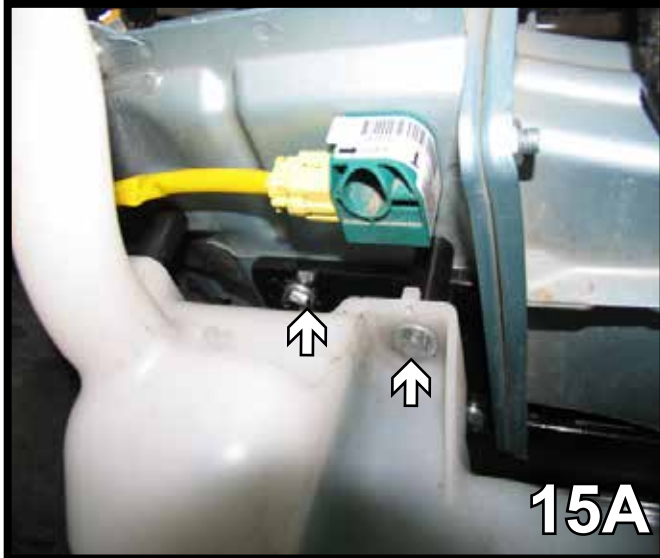
13. Take the baseplate and slide it up to the very top edge of where the frame has doubled up and clamp it into place. When positioned in place, drill three holes using a 13/32" drill bit. Then insert a 3/8-16x1 1/2" hex bolt with a 3/8" lock washer into those holes and tighten to nut plates. Cut the excess nut plate wire so that it is flush with the frame rail. Do this to both sides of the vehicle.



14. Align the fascia to its original position and, using a hack saw knife, trim if necessary the opening in the grille for the attachment tabs. Do this to both sides of the vehicle.

When using power drills be aware of the dangers of torque and drill bit length.

**BE SURE TO USE LOCTITE RED® ON ALL BOLTS BEFORE TIGHTENING. TIGHTEN ALL BOLTS ACCORDING TO THE TORQUE CHART ON THE FRONT PAGE OF THESE INSTRUCTIONS OR ON PAGE 3 OF THE BASEPLATE TOWING GENERAL INSTRUCTIONS.**



15. Reinstall the washer reservoir using 6MM -1.0 x 30MM hex bolts, 1/4" flat washers and 1 1/2" pipes in the two top holes. In the bottom hole, use a 6MM-1MM X 80MM hex bolt, 1/4" flat washer and 2 1/2" tube.

**Be sure that ALL electrical connections are plugged in properly and functioning BEFORE installing the fascia.**

16. Reinstall the fascia, bumper and headlight assemblies, inserting all screws, push pins, and bolts. The installation of the baseplate is complete.

Install the tow bar and safety cables according to the instructions provided in their packages. When demonstrating this to the customer, be sure to include all the contents and packages.

Do **NOT** substitute other devices if the tow bar pins and clips are misplaced.





## **BX3522**

### 2007-12 Suzuki SX4

#### Installation Instructions

#### **DEALER or INSTALLER:**

**Be certain the user receives the instruction sheets for their products.**



**With removable tabs installed.**



**Without removable tabs installed.**

If the baseplate is in an accident, it must be replaced. **DO NOT** use it again! An accident can cause unseen damage and using it again could result in more damage or serious injury. **DO NOT** use the baseplate if it is damaged or missing parts.

#### **CUSTOMER SERVICE COMMITMENT**

Blue Ox is committed to providing you with exceptional customer care throughout your lifetime with our products. Our team is here to assist you with any questions you may have regarding the performance of your product. Simply call (402) 385-3051 and you can speak with our customer care team.

Additionally, please visit our website to see which rallies our Destination America team will be attending. For a nominal fee, our service technician will service your towing system to ensure it's in proper working condition. Also, as a commitment to our customers, should you visit our factory you can stay at our full service Blue Ox campground at no charge along with enjoying a factory tour.

Again, thank you for being our customer and for the confidence you have shown in the performance of our products. It is because of customers like you we enjoy the success we have today.



© 2012 Blue Ox  
One Mill Road, Industrial Park  
Pender, Nebraska 68047  
Phone: (402) 385-3051  
Toll Free: (888) 425-5382  
Fax: (402) 385-3360  
[www.blueox.com](http://www.blueox.com)  
3/30/12

# General Information

1. Ensure that your product(s) are registered online at [www.blueox.com](http://www.blueox.com). It is crucial to register your product(s) so that you may be alerted of product offerings, updates, upgrades, maintenance and safety bulletins, and/or recalls.
2. **It is the owner's responsibility to inspect all towing equipment for cracked welds, missing or worn parts and loose bolts before each towing trip.** Be sure to use Loctite® Red on all bolts and tighten to the recommended specifications.
3. **It is the owner's responsibility to hook up all towing equipment per manufacturer's instructions/recommendations.**
4. Remove the attachment tabs when not in use (if applicable).

## Notice To Baseplate Installer

### 1. It is YOUR responsibility to watch for:

- Oil cooler and air conditioner lines
- Electrical wires and hoses
- Missing parts or attaching points on the frame

\*\* If the baseplate is improperly installed and is against a wire or hose, it could cause fluid leaks or electrical shorts some time after the actual baseplate installation.

## Permanent Baseplate Safety Cable Installation

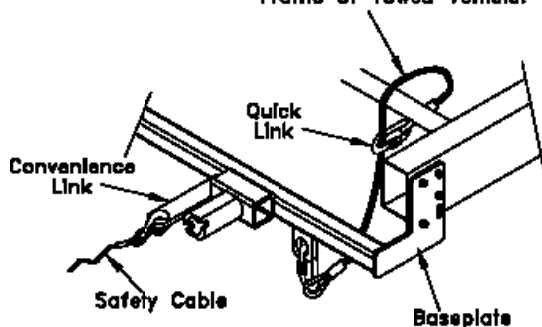
Permanent baseplate safety cables are strongly recommended when towing a vehicle with a tow bar. The principle function of the permanent baseplate safety cables is to prevent the towed vehicle from breaking loose in the event the connection between the frame of the towed vehicle and the baseplate fails or becomes disconnected. The cables must be connected from the baseplate to the frame rail or cross member of the vehicle's frame. The illustrations below show the possible arrangements recommended by Blue Ox®. Each permanent baseplate safety cable must have an adequate weight rating for the towing system. The weight rating of the two (2) cables together will not qualify.

***Do not mount the permanent baseplate safety cables against wires, hoses or brake lines.***

These permanent baseplate safety cables should remain installed as long as the baseplate is installed on the vehicle. Permanent baseplate safety cables are to be used in conjunction with, and NOT a replacement for legally required safety cables attaching the towed vehicle to the towing vehicle.

### OPTION #1

Permanent Baseplate Safety Cables to Cross Member or Frame of Towed Vehicle.



### OPTION #2

Permanent Baseplate Safety Cables to Cross Member or Frame of Towed Vehicle.

