



# BX3738

## 2000-02 Toyota Tundra Installation Instructions

Serial Number

Attachment Tab Height:

Attachment Tab Width:

Please read **BOTH** these Installation Instructions and the General Instructions prior to installing or operating this equipment.

- Blue Ox® towing products and accessories are intended to be installed by Blue Ox® Dealers who are familiar with our products and have the equipment and knowledge necessary to do "fit work". If needed, Blue Ox® Dealers can be found at [www.blueox.com](http://www.blueox.com) or by contacting our Customer Care Department at (402) 385-3051.
- Many Blue Ox® baseplates are designed to use existing holes and hardware to mount the baseplate to the towed vehicle. Even though bolts are there, do not assume they are adequate for baseplate mounting. Always use the hardware supplied in the hardware kit and existing hardware as specified in the installation instructions.

**Bolt Torque Specifications**  
Torque in Foot-Pounds for Metric Bolts

Bolt Size	Grade 8.8	Grade 10.9
6MM	6	8
8MM	16	22
10MM	31	40
12MM	54	70
14MM	89	117

**Bolt Torque Specifications**  
Torque in Foot-Pounds for Inch Bolts

Bolt Size	Grade 5	Grade 8
1/4"	10	14
5/16"	19	29
3/8"	33	47
7/16"	54	78
1/2"	78	119
5/8"	154	230



If the front of your vehicle looks different than this, please contact us at (402)385-3051.

**Reference your vehicle owner's manual for manufacturer's towing specifications.**

**! WARNING**

Failure to read and follow these instructions could result in separation of the towed vehicle from the tow bar, causing property damage, loss of towed vehicle, personal injury or death.

BX3738  
2000-02 Toyota Tundra  
Installation Instructions

**Instruction Notes:** The fascia is removed and reinstalled for the baseplate installation. Some drilling and trimming is required.

Place all components that are removed on a flat, sturdy surface. All items will be reinstalled unless otherwise noted after the baseplate is installed.

The dimensional variations between otherwise identical vehicles can be considerable. While the baseplate was designed for easy installation, it may be necessary to tailor the baseplate slightly to compensate for vehicle manufacturer's tolerances.

The BX8869 Tail Light Wiring Kit is recommended for this vehicle.



Drill a hole according to the tail  
light wiring kit instructions.

## **NOTICE**

- Handling of some cosmetic parts when installing this product may require the use of protective covers, rags, specialty tools, etc. to prevent damage.
- When using power drills be aware of the dangers of torque and drill bit length.
- Be sure that **ALL** electrical connections are plugged in properly and functioning before reinstalling the fascia.
- Do not use the towed vehicle for storing luggage, equipment, etc. This may cause you to exceed the towing capacity of the tow bar, baseplate and its accessories.
- Be sure to use Loctite® Red on all bolts before tightening. Tighten all bolts according to the torque chart provided.

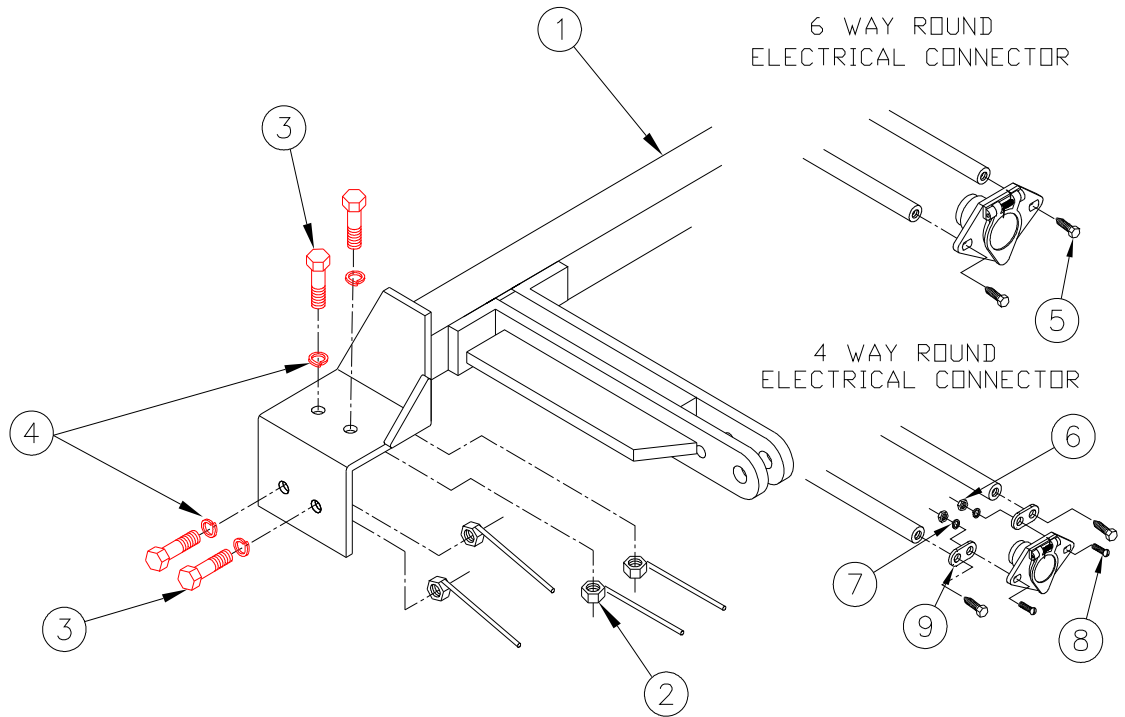
# BX3738

## 2000-02 Toyota Tundra

### Installation Instructions

**Tools Required**

Phillips Screwdriver  
 Torque Wrench  
 Drill  
 Tape Measure  
 Loctite® RED  
 1/2" Drill Bit  
 10MM Wrench  
 12MM Wrench  
 14MM Wrench



Item No.	Part No.	Description	Qty.
1.....	61-5463 .....	BX3738 Baseplate.....	1
2.....	61-4029 .....	1/2" Wire Nut.....	8
3.....	201-051 .....	1/2-13 x 1-1/2 Hex Head Bolt, Grade 5.....	8
4.....	203-0012 .....	1/2" Lock Washer .....	8
5.....	201-0979.....	#12-14 x 1" Self Drilling Screw, ZP.....	2
6.....	202-0047 .....	#10-32 Hex Nut .....	2
7.....	203-0011 .....	#10 Lock Washer, ZP .....	2
8.....	201-0192 .....	#10-32 x 1/2" Rd. Head Screw .....	2
9.....	101-5822.....	Adapter, 4 Way Connector .....	2
10.....	226-0046(not shown) .....	Class III Safety Cables .....	2
11.....	229-0359(not shown) .....	3/8" Quicklink, ZP .....	2

## BX3738

### 2000-02 Toyota Tundra

### Installation Instructions

The front bumper fascia and outside plastic rock guards need to be removed for installation of this baseplate, the steel belly pan does not need to be removed. The head lights, turn signals and cross piece can optionally be removed for ease of installation. DEALER OR INSTALLER: BE CERTAIN THE USER RECEIVES THE INSTRUCTION SHEET.

1. Remove the two plastic rock guards that are on each side of the steel belly pan.
2. Looking underneath the vehicle locate the brackets bolted to the front bumper. Remove the two bolts which fasten the brackets to the frame.
3. Directly in front of the tires are small holes in the plastic fender well molding which expose a 10mm Hex head bolt. Remove these bolts. Now you should be able to remove the bumper fascia.

Option: The molding that extends across the front of the vehicle may interfere with drilling the top holes for the baseplate. To remove the molding, the head lights and tail markers need to be taken off first. To do this remove the top pin connecting the tail markers and the headlights. Then pull the side markers out and disconnect the electrical wiring. Remove the set of 10mm bolts which are on each side of the headlight assemblies. Pull the headlights out and disconnect the electrical wiring. Now the bolts which hold the molding are exposed. Remove the 10mm bolts connecting the molding, once this is done set the pieces aside.

4. To place the baseplate on the vehicles frame it needs to be placed on one end at a time. Hold the drivers side end of the baseplate away from the vehicle approximately a foot or two and set the passenger side on the frame just behind the metal bumper. **NOTE: The canister set off to the passengers side in front of the radiator needs to be loosened from its bracket and moved up 1/2" or as much as it allows you to move it. Be careful not to damage anything on the canister.**
5. Mark and drill one of the top 1/2" holes on the baseplate. Insert a 1/2" bolt and lock washer in the baseplate and bumper. Apply Loctite Red to one of the 1/2" wire nuts and insert it through the opening just behind the metal bumper and the frame threading it to the bolt (hand tighten only.) Next drill a hole for one of the holes on the other side of the baseplate using same hardware as above. Once two bolts (one on each side) have been started tighten according to the Torque Chart in the General Instruction sheet.
6. Once two bolts have been started drill and bolt the other six holes. There are a total of four 1/2" wire nuts inserted into the frame, two can be inserted from the top of the frame and two from the bottom. Use Loctite Red on each bolt.



**BX3738**  
**2000-02 Toyota Tundra**  
**Installation Instructions**

7. Attach the permanent baseplate safety cables to the provided convenience link on the baseplate. Additional options may interfere with suggested mounting; in this case, secure the cables to a solid piece of the frame as described in the instructions included with the permanent baseplate safety cables. Be sure the safety cables do not rub against any hoses or moving parts. Do this on both sides of the vehicle.
8. Replace the cross molding, headlights and bumper fascia, connect all wiring for headlights and turn signals.

### **CUSTOMER SERVICE COMMITMENT**

Blue Ox® is committed to providing you with exceptional customer care throughout your lifetime with our products. Our team is here to assist you with any questions you may have regarding the performance of your product. Simply call (402) 385-3051 and you can speak with our customer care team.

Additionally, please visit our website to see which rallies our Destination America team will be attending. For a nominal fee, our service technician will service your towing system to ensure it's in proper working condition. Also, as a commitment to our customers, should you visit our factory, you can stay at our full service Blue Ox® campground at no charge along with enjoying a factory tour.

Again, thank you for being our customer and for the confidence you have shown in the performance of our products. It is because of customers like you we enjoy the success we have today.

© 2012 Blue Ox  
One Mill Road, Industrial Park  
Pender, Nebraska 68047  
Phone: (402) 385-3051  
Fax: (402) 385-3360  
[www.blueox.com](http://www.blueox.com)

# General Information

1. Ensure that your product(s) are registered online at [www.blueox.com](http://www.blueox.com). It is crucial to register your product(s) so that you may be alerted of product offerings, updates, upgrades, maintenance and safety bulletins, and/or recalls.
2. **It is the owner's responsibility to inspect all towing equipment for cracked welds, missing or worn parts and loose bolts before each towing trip.** Be sure to use Loctite® Red on all bolts and tighten to the recommended specifications.
3. **It is the owner's responsibility to hook up all towing equipment per manufacturer's instructions/recommendations.**
4. Remove the attachment tabs when not in use (if applicable).

## Notice To Baseplate Installer

### 1. It is YOUR responsibility to watch for:

- Oil cooler and air conditioner lines
- Electrical wires and hoses
- Missing parts or attaching points on the frame

\*\* If the baseplate is improperly installed and is against a wire or hose, it could cause fluid leaks or electrical shorts some time after the actual baseplate installation.

## Permanent Baseplate Safety Cable Installation

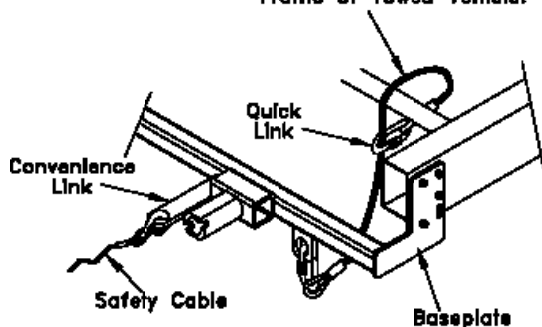
Permanent baseplate safety cables are strongly recommended when towing a vehicle with a tow bar. The principle function of the permanent baseplate safety cables is to prevent the towed vehicle from breaking loose in the event the connection between the frame of the towed vehicle and the baseplate fails or becomes disconnected. The cables must be connected from the baseplate to the frame rail or cross member of the vehicle's frame. The illustrations below show the possible arrangements recommended by Blue Ox®. Each permanent baseplate safety cable must have an adequate weight rating for the towing system. The weight rating of the two (2) cables together will not qualify.

***Do not mount the permanent baseplate safety cables against wires, hoses or brake lines.***

These permanent baseplate safety cables should remain installed as long as the baseplate is installed on the vehicle. Permanent baseplate safety cables are to be used in conjunction with, and NOT a replacement for legally required safety cables attaching the towed vehicle to the towing vehicle.

### OPTION #1

Permanent Baseplate Safety Cables to Cross Member or Frame of Towed Vehicle.



### OPTION #2

Permanent Baseplate Safety Cables to Cross Member or Frame of Towed Vehicle.

