



Strong As An Ox™

BX3750 Installation Instructions 2003 Toyota Matrix

Serial No.

The front fascia and metal bumper are removed for baseplate installation. Holes need to be drilled. The BX8869 is available for the vehicle. Attachment Tabs are 20 inches center to center and a height of 16 inches.



1. Remove phillips screw with rubber bumper using the phillips screw driver, both sides. On the top side of front fascia, remove three phillips push pins and two push pins from upper fascia opening.



2. Just forward of front tire, on fascia lower corner, remove the metric bolt with the 10MM socket or a phillips screw driver, both sides.



3. Remove metric bolt inside wheel on fascia's upper corner with the 10MM socket or phillips screw driver.



4. Remove two push pins from the bottom of metal bumper. Pull fascia forward and set aside.



5. Disconnect electrical tie downs on the top of metal bumper. Using the 14MM socket, remove the four metric bolts from metal bumper, pull forward and set aside.



6. Using either a 1 1/4" drill bit or hole saw, drill a 1 1/4" hole in frame, to gain access to inside of frame, both sides.



Strong As An Ox™



7. Drill out existing hole with the 17/32" drill bit, both sides. Insert item 2 into 1 1/4" hole to align with existing hole and tighten items 4 and 5, both sides. Using the baseplate as a template drill the other 17/32" hole on the inside of frame rail, both sides. **Be sure and use loctite on all bolts before tightening.**



8. Drill the remaining holes on the bottom of frame rail using the 13/32" drill bit. Insert item 3 into 1 1/4" holes to align with drill holes, and tighten items 6 and 7, both sides. **Be sure and use loctite on all bolts before tightening.**



9. Reinstall metal bumper and wire loom on the top of metal bumper. Hold fascia to align with original position and trim lower grill as needed. (See photo)



Location for the BX8869. (Photo of driver's side tail light assembly.)

10. The dimensional variations between otherwise identical cars can be considerable. While the location and size of the holes in the baseplate were designed to allow for easy installation, it may be necessary to file a hole slightly to allow a bolt to clear.

11. Install the tow bar and safety cables according to the instructions included in their packages.

12. Do **not** substitute other devices if the tow bar pin and clip are lost.

13. **DEALER OR INSTALLER: BE CERTAIN THE USER RECEIVES THE INSTRUCTION SHEET.**

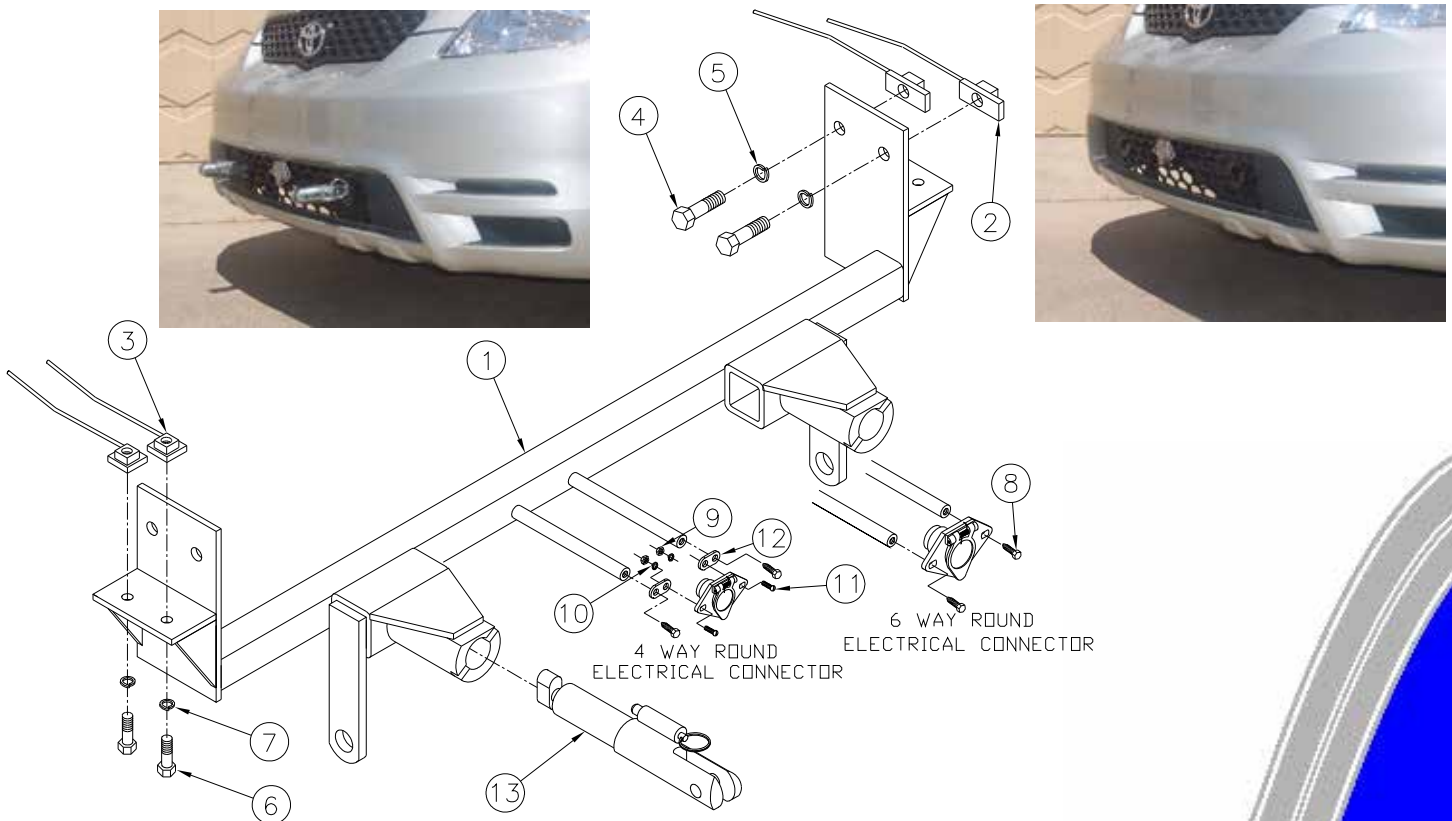


Tools Required

10MM Socket	Loctite Red	13/32" Drill Bit
3/4" Socket	9/16" Socket	17/32" Drill Bit
1 1/4" Hole Saw	Phillips Screw Driver	Vise Grips

Parts List

Ref. No.	Qty.	Part No.	Description
1	1	61-5786	Weldment, Base Plate, BX3750
2	4	61-5338	1/2-13, Nut Plate, w/ 10" Wire
3	4	61-5208	3/8-16 Nut Plate
4	4	201-0051	1/2-13 x 1 1/2, Hex Bolt, Grd. 5, ZP
5	4	203-0012	1/2 Lock Washer, ZP
6	4	201-0440	3/8-16 x 1 1/2 Bolt, Grd. 5, ZP
7	4	203-0010	3/8 Lock Washer, ZP
8	2	201-0979	#12-14 x 1" Self Drilling Screw, ZP
9	2	201-0192	#10-32 x 1/2 Slot, Rd. Hd. Screw
10	2	203-0054	#10 Lock Washer
11	2	202-0047	#10-32 Hex Nut
12	2	101-5822	Adapter, 4 Way Connector
13	2	62-3469	Attachment, Assembly, L/B, SF (R)
	2	226-0046	Baseplate Safety Cable, 36" CL III (Not Shown)
	2	229-0359	Quicklink, 3/8, ZP (Not Shown)
	2	290-0437	Receiver, Cap Plug (Blk) (Not Shown)



IMPORTANT: Use only genuine factory replacement parts on your Base Plate. Do not substitute homemade or nontypical parts. If a bolt is lost or in need of replacement, for your safety and the preservation of your Base Plate, be sure to use a replacement bolt of the same grade (Usually Grade 5, refer to parts list). Repair parts may be ordered through your nearest **Blue Ox** dealer or distributor.

General Information

1. Ensure that your product(s) are registered online at www.blueox.com. It is crucial to register your product(s) so that you may be alerted of product offerings, updates, upgrades, maintenance and safety bulletins, and/or recalls.
2. **It is the owner's responsibility to inspect all towing equipment for cracked welds, missing or worn parts and loose bolts before each towing trip.** Be sure to use Loctite® Red on all bolts and tighten to the recommended specifications.
3. **It is the owner's responsibility to hook up all towing equipment per manufacturer's instructions/recommendations.**
4. Remove the attachment tabs when not in use (if applicable).

Notice To Baseplate Installer

1. It is YOUR responsibility to watch for:

- Oil cooler and air conditioner lines
- Electrical wires and hoses
- Missing parts or attaching points on the frame

** If the baseplate is improperly installed and is against a wire or hose, it could cause fluid leaks or electrical shorts some time after the actual baseplate installation.

Permanent Baseplate Safety Cable Installation

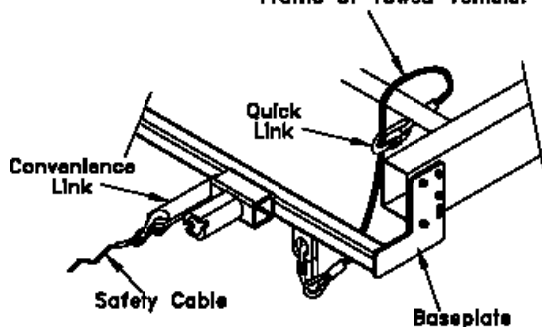
Permanent baseplate safety cables are strongly recommended when towing a vehicle with a tow bar. The principle function of the permanent baseplate safety cables is to prevent the towed vehicle from breaking loose in the event the connection between the frame of the towed vehicle and the baseplate fails or becomes disconnected. The cables must be connected from the baseplate to the frame rail or cross member of the vehicle's frame. The illustrations below show the possible arrangements recommended by Blue Ox®. Each permanent baseplate safety cable must have an adequate weight rating for the towing system. The weight rating of the two (2) cables together will not qualify.

Do not mount the permanent baseplate safety cables against wires, hoses or brake lines.

These permanent baseplate safety cables should remain installed as long as the baseplate is installed on the vehicle. Permanent baseplate safety cables are to be used in conjunction with, and NOT a replacement for legally required safety cables attaching the towed vehicle to the towing vehicle.

OPTION #1

Permanent Baseplate Safety Cables to Cross Member or Frame of Towed Vehicle.



OPTION #2

Permanent Baseplate Safety Cables to Cross Member or Frame of Towed Vehicle.

