



BX3831

2011-15 VW Jetta

Installation Instructions

Attachment Tab Height: 14"

Attachment Tab Width: 20"

Serial Number

Please read **BOTH** these Installation Instructions and the General Information sheet prior to installing or operating this equipment.

1. Blue Ox® towing products and accessories are intended to be installed by Blue Ox® Dealers who are familiar with our products and have the equipment and knowledge necessary to do "fit work". If needed, Blue Ox® Dealers can be found at www.blueox.com or by contacting our Technical Service Department at (402) 385-3051.
2. Many Blue Ox® baseplates are designed to use existing holes and hardware to mount the baseplate to the towed vehicle. Even though bolts are there, do not assume they are adequate for baseplate mounting. Always use the hardware supplied in the hardware kit and existing hardware as specified in the installation instructions.



If the front of your vehicle looks different than this, please contact us at (402)385-3051.

Reference your vehicle owner's manual for manufacturer's towing specifications.

Bolt Torque Specifications

Torque in Foot-Pounds for Inch Bolts

Bolt Size	Grade 5	Grade 8
1/4"	10	14
5/16"	19	29
3/8"	33	47
7/16"	54	78
1/2"	78	119
5/8"	154	230
3/4"	257	380

Bolt Torque Specifications

Torque in Foot-Pounds for Metric Bolts

Bolt Size	Grade 8.8	Grade 10.9
6MM	6	8
8MM	16	22
10MM	31	40
12MM	54	70
14MM	89	117
16MM	161	230
18MM	222	318



WARNING

Failure to read and follow these instructions could result in separation of the towed vehicle from the tow bar, causing property damage, loss of towed vehicle, personal injury or death.

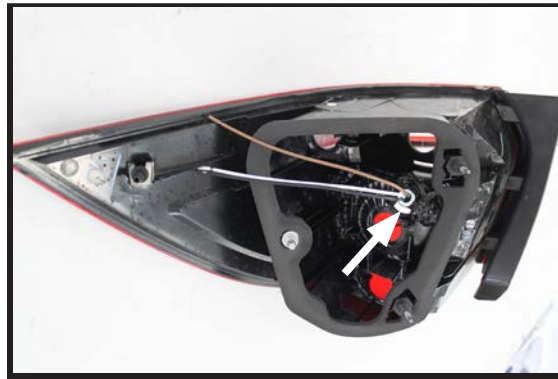
BX3831
2011-15 VW Jetta TDI
Installation Instructions

Instruction Notes: The upper grille, front fascia, styrofoam & metal bumpers, temperature sensor, horn brackets and windshield washer fluid reservoir are removed and reinstalled for the baseplate installation. Some drilling and trimming is required.

Place all components that are removed on a flat, sturdy surface. All items will be reinstalled unless otherwise noted after the baseplate is installed.

The dimensional variations between otherwise identical vehicles can be considerable. While the baseplate was designed for easy installation, it may be necessary to tailor the baseplate slightly to compensate for vehicle manufacturer's tolerances.

The BX8869 Tail Light Wiring Kit is recommended for this vehicle.



Drill a hole according to the tail
light wiring kit instructions.

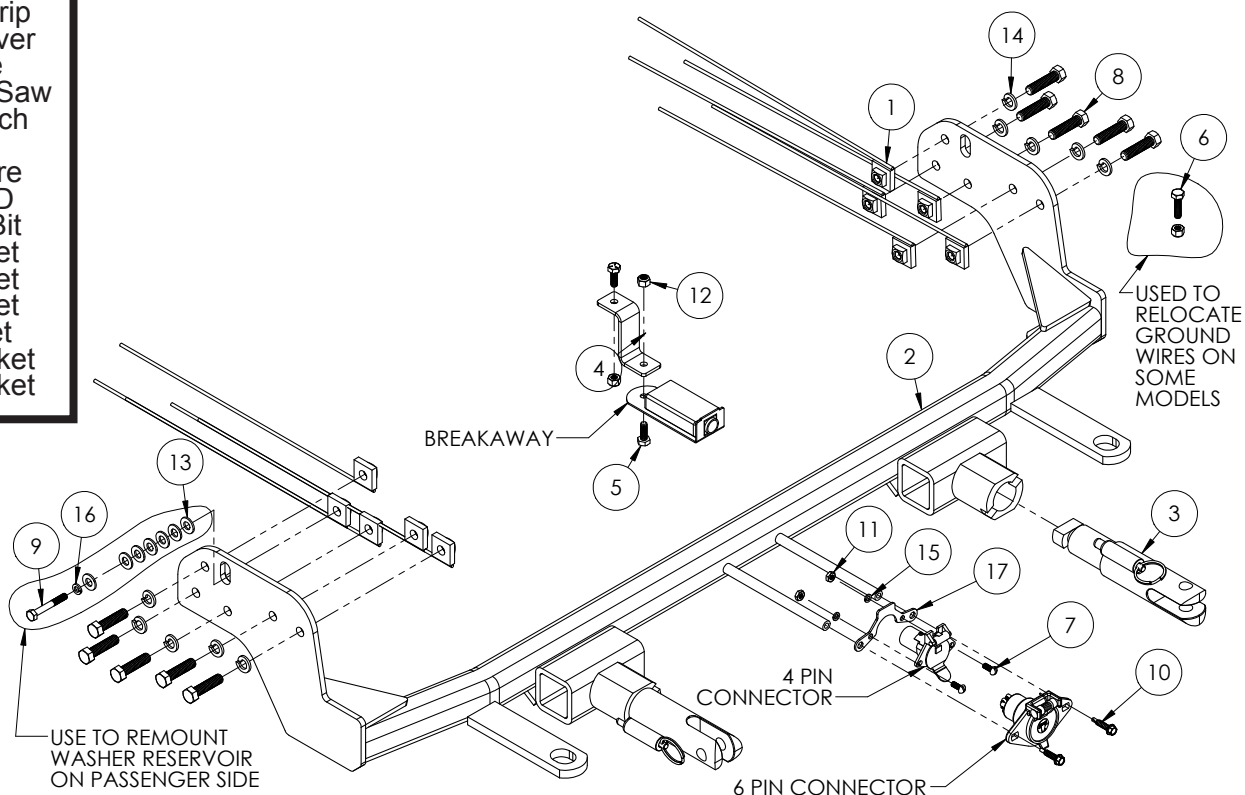
NOTICE

- Handling of some cosmetic parts when installing this product may require the use of protective covers, rags, specialty tools, etc. to prevent damage.
- When using power drills be aware of the dangers of torque and drill bit length.
- When using a reciprocating saw be aware of objects behind the cutting surface.
- Use a good quality paint to spray cut edges of frame to prevent rusting.
- Be sure that **ALL** electrical connections are plugged in and accessories are functioning properly before reinstalling the fascia.
- The baseplate is computer tested to your vehicle's GVWR, exceeding this weight will void the manufacturer's warranty.
- Be sure to use a sufficient amount of Loctite® Red on all bolt threads before tightening. Tighten all bolts according to the torque chart provided.
- Dealer or installer be certain the user receives these instruction sheets.
- If the baseplate is in an accident, it must be replaced. **DO NOT** use it again! An accident can cause unseen damage and using it again could result in more damage or serious injury. **DO NOT** use the baseplate if it is damaged or missing parts.

BX3831 2011-15 VW Jetta TDI Installation Instructions

Tools Required

Large Vise Grip
 Flat Screwdriver
 Utility Knife
 Reciprocating Saw
 Torque Wrench
 Drill
 Tape Measure
 Loctite® RED
 13/32" Drill Bit
 10MM Socket
 13MM Socket
 16MM Socket
 9/16" Socket
 T25 Torx Socket
 T30 Torx Socket



Item No.	Part No.	Description	Qty.
1.....	61-5208	3/8"-16 Nut Plate w/14" Wire	10
2.....	61-6835	BX3831 Baseplate.....	1
3.....	62-3468	Attachment Assembly, SF/SB (R).....	2
4.....	102-7056	Breakaway Bracket	1
5.....	201-0050	1/4"-20 x 3/4" Hex Head Bolt, Grade 5, ZP	2
6.....	201-0071	1/4"-20 x 1" Hex Head Bolt, Grade 5, ZP	1
7.....	201-0192	#10-32 1/2" Round Slotted Head Screw.....	2
8.....	201-0440	3/8"-16 x 1-1/2" Hex Bolt, Grade 5, ZP.....	10
9.....	201-0702	6MM-1.0 x 45MM Hex Head Bolt, Grade 8.8, ZP.....	1
10.....	201-0979	#12-14 x 1" Self Drilling Screw, ZP.....	2
11.....	202-0047	#10-32 Hex Nut	2
12.....	202-0102	1/4"-20 Hex Nylon Nut, ZP	3
13.....	203-0002	5/16" Flat Washer, ZP.....	7
14.....	203-0010	3/8" Lock Washer, ZP	10
15.....	203-0054	#10 Lock Washer, ZP	2
16.....	203-0161	6MM Lock Washer, ZP	1
17.....	299-0685	4-Way Bracket.....	1
18.....	226-0046(not shown)	Class III Safety Cables	2
19.....	229-0359(not shown)	3/8" Quicklink, ZP	2
20.....	290-0437(not shown)	Black Cap Plug Receiver.....	2

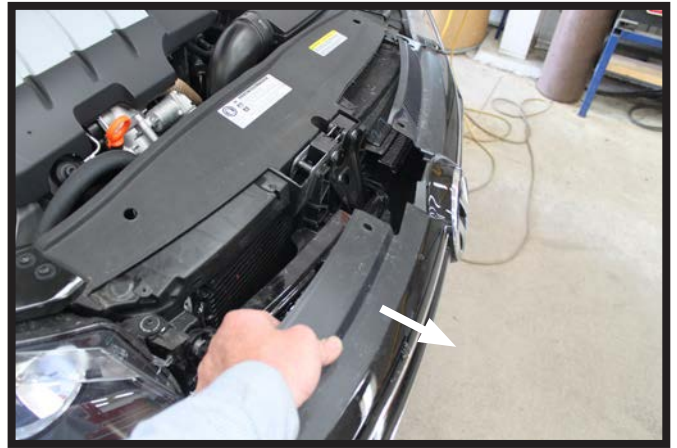
Important:

Use only genuine factory replacement parts on your baseplate. Do **NOT** substitute homemade or non-typical parts. If a bolt is lost or in need of replacement, for your safety and the preservation of your baseplate, be sure to use a replacement bolt of the same grade (In most cases it will be Grade 5, please reference the parts list above). Replacement parts may be ordered through your nearest Blue Ox® Dealer or Distributor. Failing to follow and/or altering these installation instructions in either installation or required equipment will void the manufacturer's warranty. Towing behind a non-motorized vehicle will void the warranty.

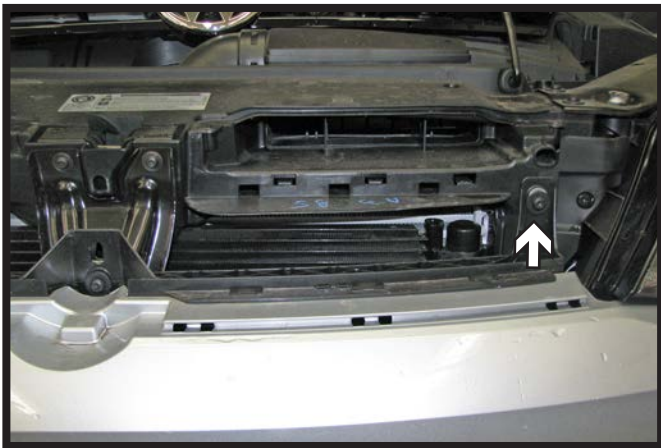
BX3831
2011-15 VW Jetta TDI
Installation Instructions



1. Using a T25 Torx, remove the two (2) screws from the top edge of the fascia. There are two (2) on each side.



2. Grasp the top of the grille, pull forward to release it.



3. Using the T30 Torx, remove the two (2) bolts from the lower grille, one (1) on each side.

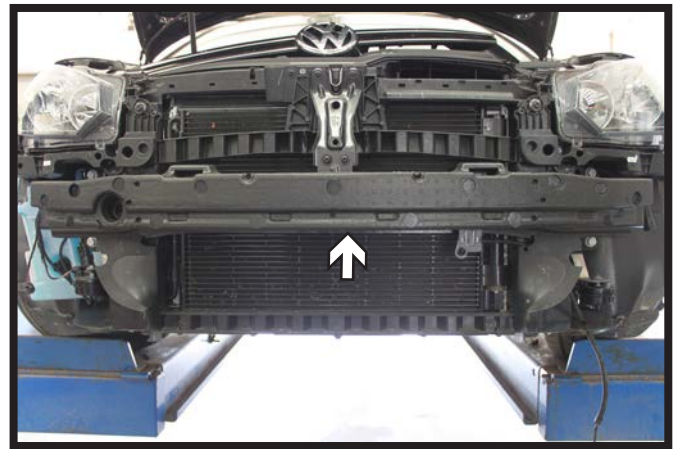


4. Using a T25 Torx, remove the five (5) screws from the edge of the wheel well. Do this on both sides of the vehicle.

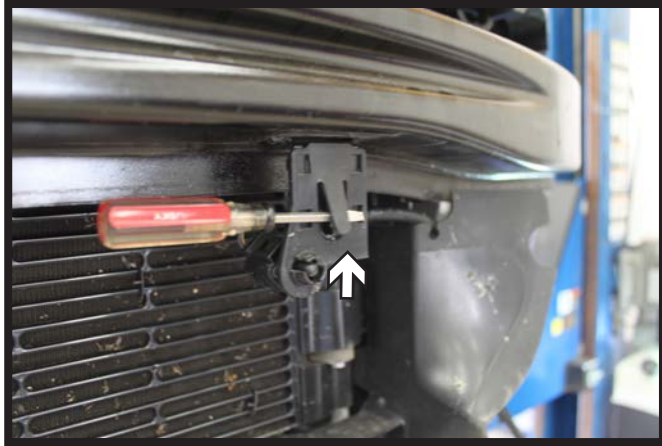
BX3831
2011-15 VW Jetta TDI
Installation Instructions



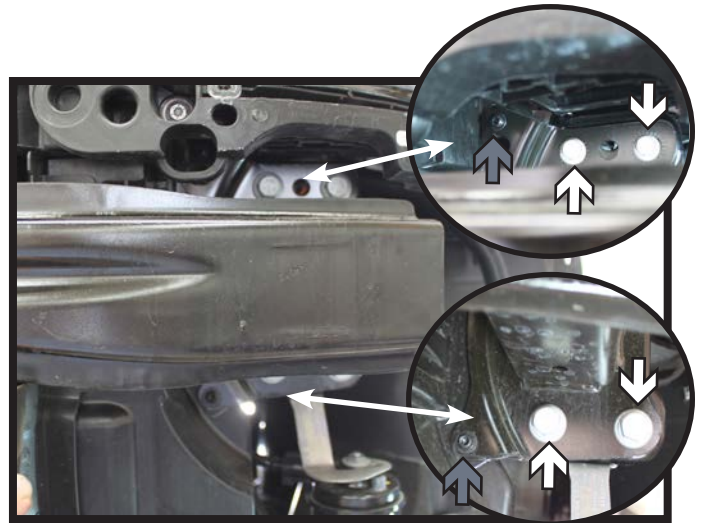
5. Using a 25 Torx, remove the eight (8) screws from the underside of the fascia. There are three (3) on each corner and two (2) in the center.



6. Remove the glued styrofoam bumper by prying gently in multiple locations.

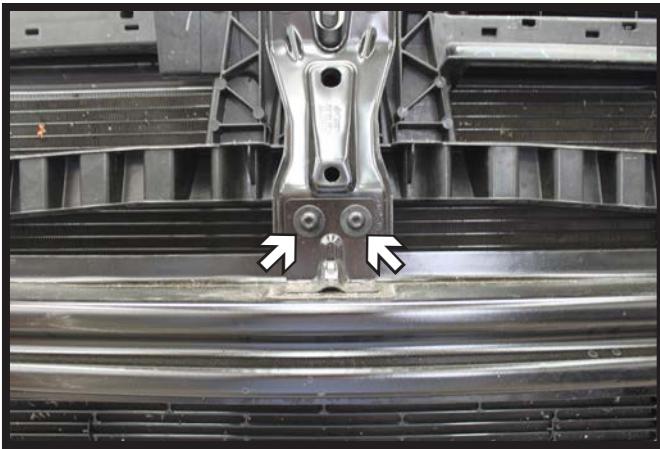


7. Unplug and remove the temperature sensor (white arrow). Take the center piece off for now.

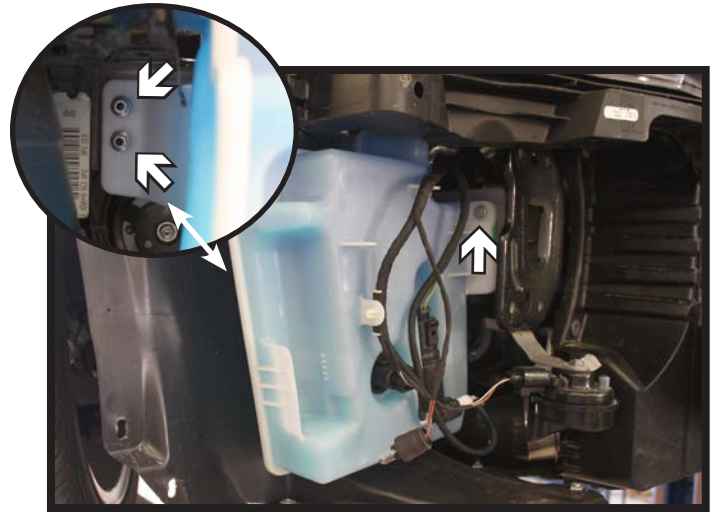


8. On the outer edge of the bumper, using a T30 Torx, remove the two (2) screws (gray). Then using a 16MM socket, remove the four (4) bolts (white). Do this on both sides of the vehicle.

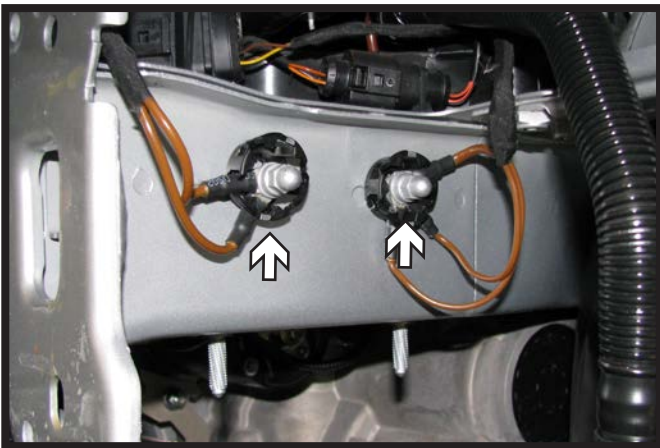
BX3831
2011-15 VW Jetta TDI
Installation Instructions



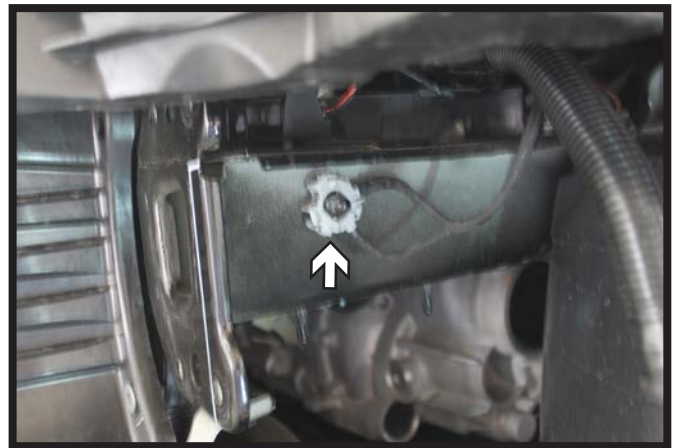
9. Using a T30 Torx, remove the two (2) screws from the middle of the bumper and set the bumper aside.



10. On the passenger side, using a 10MM socket, remove the three (3) nuts from the washer reservoir. There are two (2) on backside and one (1) in front. Disconnect all lines and set the washer reservoir aside.

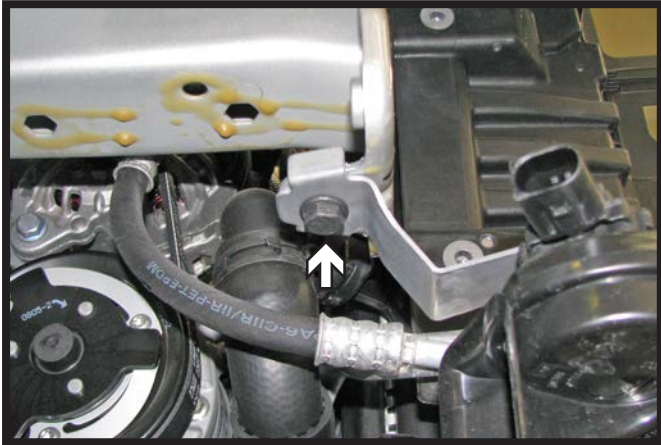


10. **2011 Model:** On the driver side, using a 10MM socket remove the two (2) nuts holding the ground wires. Move the ground wires out of the way. Cut the studs flush with the frame rail.

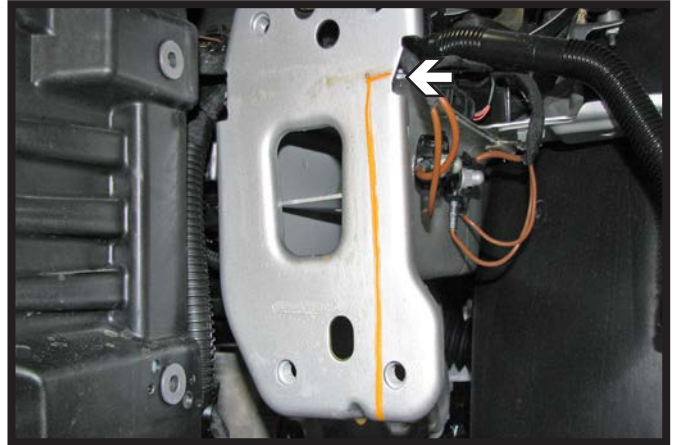


10. **2012-13 Models:** On the driver side using a 10MM socket remove the one (1) ground wire nut. Move the ground wire out of the way. Cut the stud flush with the frame rail.

BX3831
2011-15 VW Jetta TDI
Installation Instructions



11. Using the 13MM socket, remove the bolt from the horn bracket. Unplug the electrical connection and set the horn assembly aside. Do this on both sides of the vehicle.



12. Using a reciprocating saw, cut the webbing horizontally flush with the top of the frame rail then vertically flush with the side of the frame rail all the way down. Do this on both sides of the vehicle.

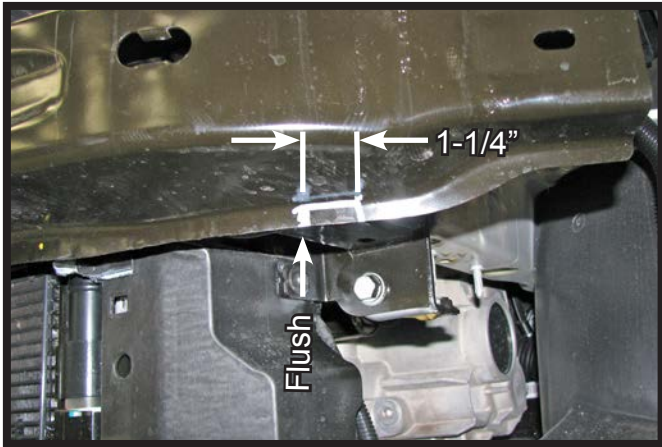


13. Temporarily reinstall the metal bumper to its original position. Mark the back side of the webbing where the frame webbing was removed. Do this on both sides. Remove the bumper, then cut out the areas with a reciprocating saw. Then reinstall the bumper.

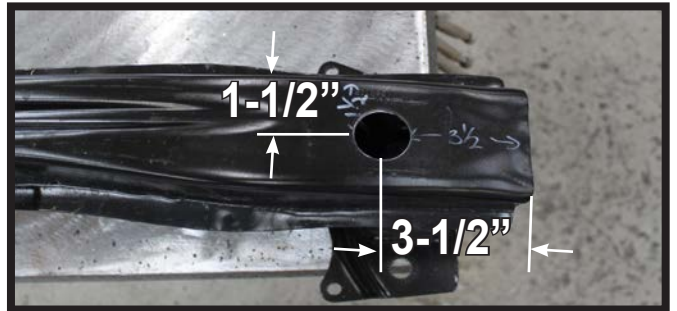
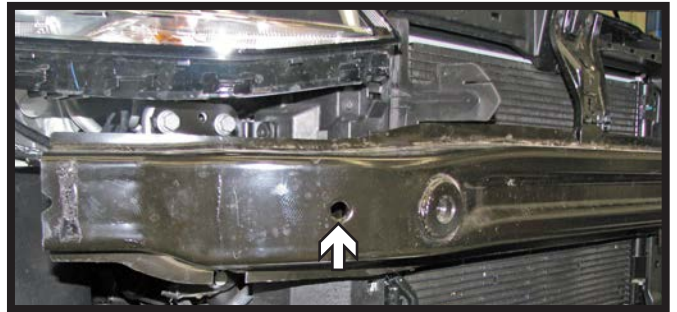


14. Trim the plastic shrouding off just below the bumper. Do this on both sides of the vehicle.

BX3831
2011-15 VW Jetta TDI
Installation Instructions



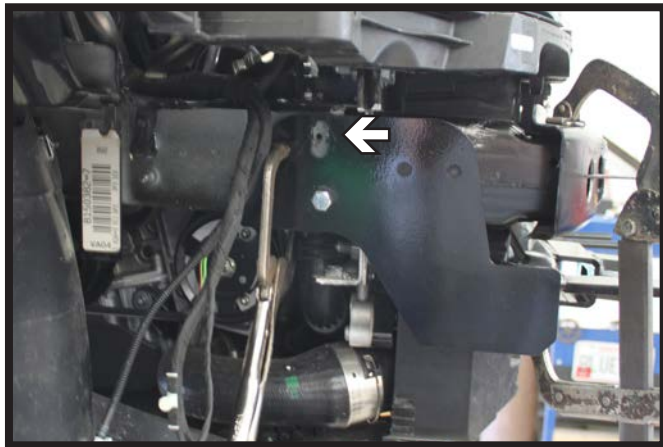
15. **2011-12 Models:** Mark the lower lip of the bumper flush with the outside of the frame rail and 1-1/4" wide. Remove the section of the bumper lip for baseplate clearance.



16. On the passenger side, enlarge the hole on the front of the metal bumper just forward of the center of the frame end. Use a reciprocating saw and enlarge the hole or drill out with an 1-1-4" hole saw.

If there are no existing holes in bumper. Use a 1-1/4" holesaw and drill a hole 3-1/2" from end and 1-1/2" from top of the bumper on each end of bumper.

This will allow access to the inside of the frame end to insert the nut plates for the base plate installation.



17. Slide the baseplate into position, centering the slot in the baseplate horizontally with the existing hole in the frame. Flush the baseplate with top of the frame. Level and clamp the baseplate into position.

Using a 13/32" drill bit, drill one (1) hole on each side of the vehicle thru the frame and install 3/8"-16 x 1-1/2" bolts with 3/8" lock washers into the holes and 3/8"-16 nut plates on the inside of the frame. Fully tighten both fasteners, then continue to drill the remaining eight (8) holes thru the frame and install all fasteners.

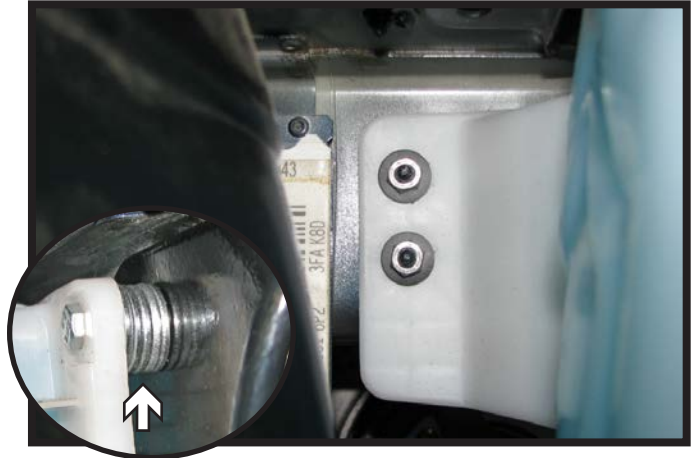


18. Drill a 1/2" hole in the plate as shown above and insert temperature sensor into hole.

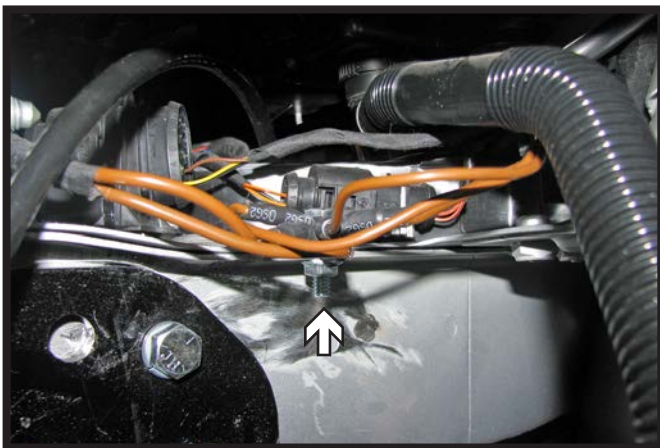
BX3831
2011-15 VW Jetta TDI
Installation Instructions



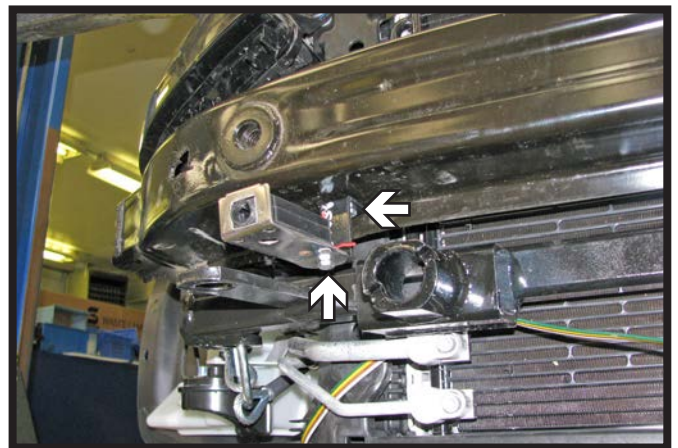
19. Flatten the horn bracket tabs on the passenger side only. Reattach both horn brackets and plug in the electrical connections.



20. Put the washer reservoir in place on the back two studs and loosely reinstall the two (2) hex nuts. Use the 6MM hex bolt provided on the front hole with flat washers as spacers to prevent webbing from rubbing a hole in the reservoir tank. Tighten the back nuts and reconnect all the electrical and fluid lines to the reservoir.



21. On the driver side, drill a 1/4" hole in the edge of the frame. Attach all the ground wires together with a 1/4"-20 x 1" bolt and 1/4"-20 lock nut.



22. **Optional:** Drill a 1/4" hole in the center of the metal bumper. Attach the breakaway bracket to the bumper with 1/4"-20 x 3/4" bolt and 1/4"-20 lock nut. Then attach the breakaway to the bracket with a 1/4"-20 x 3/4" bolt and 1/4"-20 lock nut.

BX3831
2011-15 VW Jetta TDI
Installation Instructions



23. Attach the permanent baseplate safety cables to the provided convenience link on the baseplate. The photo above shows the recommended installation of the cables to frame of vehicle. Additional options may interfere with suggested mounting; in this case, secure the cables to a solid piece of the frame as described in the General Information sheet. Be sure the safety cables do not rub against any hoses or moving parts. Do this on BOTH sides of the vehicle.

24. Reinstall the styrofoam bumper. Hold the fascia as close to its original position, mark and trim the fascia around the convenience links and attachment tabs. Reinstall the fascia.

CUSTOMER SERVICE COMMITMENT

Blue Ox® is committed to providing you with exceptional customer care throughout your lifetime with our products. Our team is here to assist you with any questions you may have regarding the performance of your product. Simply call (402) 385-3051 and you can speak with our technical service team.

Additionally, please visit our website to see which rallies our Destination America team will be attending. For a nominal fee, our service technician will service your towing system to ensure it's in proper working condition. Also, as a commitment to our customers, should you visit our factory, you can stay at our full service Blue Ox® campground at no charge along with enjoying a factory tour.

Again, thank you for being our customer and for the confidence you have shown in the performance of our products. It is because of customers like you we enjoy the success we have today.

© 2016 Blue Ox
One Mill Road, Industrial Park
Pender, Nebraska 68047
Phone: (402) 385-3051
Fax: (402) 385-3360
www.blueox.com

General Information

1. Ensure that your product(s) are registered online at www.blueox.com. It is crucial to register your product(s) so that you may be alerted of product offerings, updates, upgrades, maintenance and safety bulletins, and/or recalls.
2. **It is the owner's responsibility to inspect all towing equipment for cracked welds, missing or worn parts and loose bolts before each towing trip.** Be sure to use Loctite® Red on all bolts and tighten to the recommended specifications.
3. **It is the owner's responsibility to hook up all towing equipment per manufacturer's instructions/recommendations.**
4. Remove the attachment tabs when not in use (if applicable).

Notice To Baseplate Installer

1. It is YOUR responsibility to watch for:

- Oil cooler and air conditioner lines
- Electrical wires and hoses
- Missing parts or attaching points on the frame

** If the baseplate is improperly installed and is against a wire or hose, it could cause fluid leaks or electrical shorts some time after the actual baseplate installation.

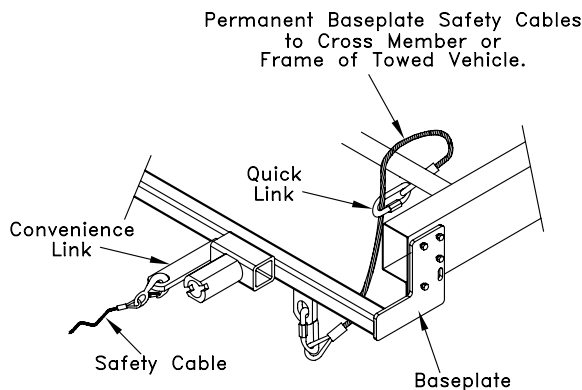
Permanent Baseplate Safety Cable Installation

Permanent baseplate safety cables are strongly recommended when towing a vehicle with a tow bar. The principle function of the permanent baseplate safety cables is to prevent the towed vehicle from breaking loose in the event the connection between the frame of the towed vehicle and the baseplate fails or becomes disconnected. The cables must be connected from the baseplate to the frame rail or cross member of the vehicle's frame. The illustrations below show the possible arrangements recommended by Blue Ox®. Each permanent baseplate safety cable must have an adequate weight rating for the towing system. The weight rating of the two (2) cables together will not qualify.

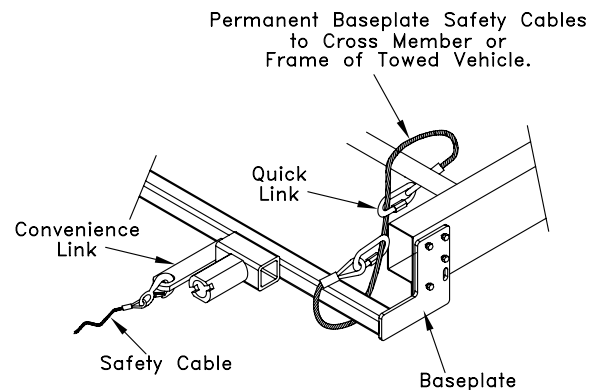
Do not mount the permanent baseplate safety cables against wires, hoses or brake lines.

These permanent baseplate safety cables should remain installed as long as the baseplate is installed on the vehicle. Permanent baseplate safety cables are to be used in conjunction with, and NOT a replacement for legally required safety cables attaching the towed vehicle to the towing vehicle.

OPTION #1



OPTION #2



BLUE OX ORIGINAL PURCHASERS THREE YEAR LIMITED WARRANTY

Automatic Equipment Manufacturing Company ("Automatic") warrants to the original (first) retail purchaser that this product, manufactured by Automatic, shall be free from defect in material and workmanship under normal use and service for a period of three years from the date of delivery.

During said three-year period, Automatic will repair or replace any parts that have been returned by the original purchaser, to the factory, transportation prepaid, and in Automatic's sole and absolute opinion found to be defective.

Limitations on Warranty Coverage:

Coverage under this warranty will be valid only if the customer warranty card is returned by the original purchaser within 30 days of purchase.

Coverage under this warranty will be effective only when a copy of the original invoice, showing date and place of purchase, accompanies any claim for warranty. This warranty is NON TRANSFERABLE.

This limited warranty will not cover, in any way or form, any alleged damages caused by incorrect or improper installation, improper use, modification or neglect of product, failure to properly service and maintain, misuse, act of God, accident or failure of the user to follow guidelines contained in the instructional material provided by Automatic.

This warranty does not cover normal wear and tear, paint or rust.

Warrantor assumes no responsibility to the owner for loss of use of product, loss of time, inconvenience or any other damage consequential or otherwise. Including, but not limited to mileage, expense of transporting of product, return shipping expense, mechanics travel time, telephone, road service, towing, and rental during repairs, travel, lodging, loss or damage to personal property or loss of earnings.

REPAIR OR REPLACEMENT AS SET FORTH IN THIS LIMITED WARRANTY IS THE SOLE EXCLUSIVE REMEDY OF THE PURCHASER. AUTOMATIC SHALL NOT BE LIABLE FOR ANY INCIDENTAL OR CONSEQUENTIAL DAMAGES FOR BREACH OF ANY EXPRESS OR IMPLIED WARRANTY ON THIS PRODUCT. EXCEPT TO THE EXTENT PROHIBITED BY APPLICABLE LAW, ANY IMPLIED WARRANTY OF MERCHANTABILITY OR FITNESS FOR A PARTICULAR PURPOSE ON THIS PRODUCT IS LIMITED IN LENGTH TO THE DURATION OF THIS WARRANTY.

Please visit <http://blueox.com/warranty/> to register your warranty

