



Strong As An Ox™

## BX1939 Installation Instructions 1997-04 Dodge Dakota (Incl. Quad Cab) 1998-03 Durango 2WD & 4WD (Include V-8 Magnum)

The plastic rock guard and fascia need to be removed and half inch holes need to be drilled to install the baseplate. The back side of the fascia needs to be trimmed for the cross tube.

1. Remove the plastic pine tree clips holding the plastic rock guard. Pull the plastic piece out and set aside. Locate the two Hex bolts on the outside of the frame holding the bumper bracket to the frame and remove (18mm wrench). Do this on both sides.
2. Open the hood of the vehicle and remove the four bolts of the bumper bracket (18MM Wrench). Pull the main bumper off and set aside.
3. Remove the nuts (18MM wrench) in the frame of the inner bumper brackets and place the appropriate driver's and passenger's side plate (Items 2 and 3) over bolts. Use Loctite on each nut and reinstall. The dimensional variations between otherwise identical cars can be considerable. While the location and size of the holes in the baseplate were designed to allow for easy installation, it may be necessary to drill a hole out slightly to allow a bolt to clear, models may vary.
4. Using the 1/2" bolts, washers and nuts, bolt the main weldment (Item 1) to the side plates (Items 2, 3 and 4). Use Loctite on each bolt and torque according to the torque chart in the General Instruction Sheet.
5. The three vertical grill pieces need to be trimmed from the back side to allow for the tube of the main weldment. Approximately 1/2 inch off of each one.
6. Replace the bumper and rock guard.
7. Install the tow bar and safety cables according to the instructions included in their packages. Do not substitute other devices if the tow bar pin and clip are lost.
8. **DEALER OR INSTALLER: BE CERTAIN THE USER RECEIVES THE INSTRUCTION SHEET.**

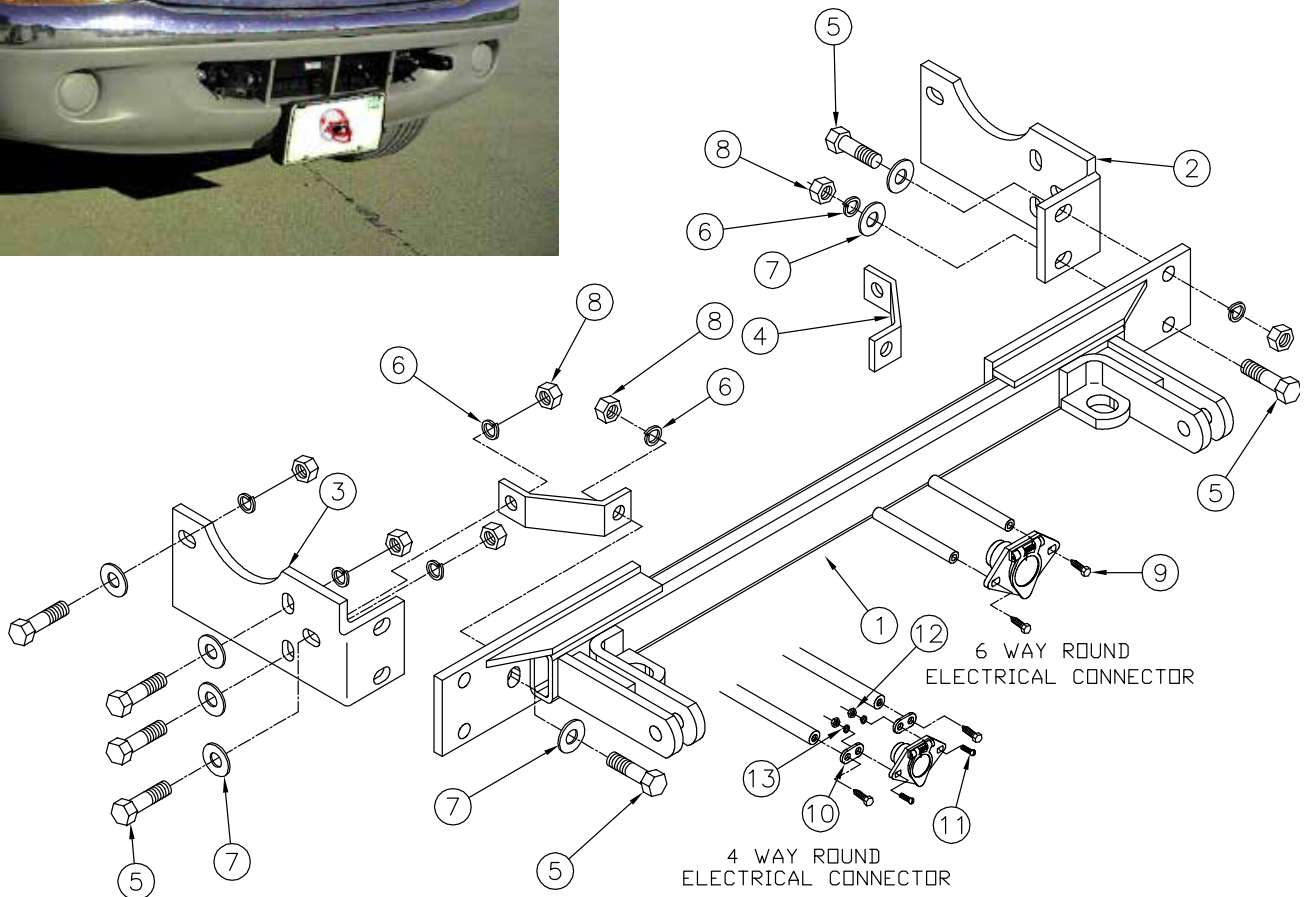


### Tools Required

Loctite Red                      18MM Wrench  
   3/4" Socket  
18MM Socket                      Utility Knife  
   Flat Screwdriver

# Parts List

Ref. No.	Qty.	Part No.	Description
1	1	61-5280	Weldment, Baseplate, BX1939
2	1	101-5826	Driver's Side Plate, BX1939
3	1	101-5827	Passenger's Side Plate, BX1939
4	2	102-5663	Brace Support, BX1939
5	10	201-0051	1/2-13 x 1 1/2 Hex Bolt, Grade 5
6	10	203-0012	1/2 Lock Washer
7	10	203-0005	1/2 Flat Washer
8	10	202-0005	1/2-13 Hex Nut
9	2	201-0979	#12-14 x 1" Self Drilling Screw, ZP
10	2	101-5822	4 Way Electrical Adapter
11	2	201-0192	#10-32 x 1/2 Slot, Screw
12	2	202-0047	#10-32 Hex Nut
13	2	203-0054	#10 Lock Washer
	2	226-0049	Baseplate Safety Cable, 36" CL IV (Not Shown)
	4	229-0512	Quicklink, 1/2, ZP (Not Shown)



# General Information

1. Ensure that your product(s) are registered online at [www.blueox.com](http://www.blueox.com). It is crucial to register your product(s) so that you may be alerted of product offerings, updates, upgrades, maintenance and safety bulletins, and/or recalls.
2. **It is the owner's responsibility to inspect all towing equipment for cracked welds, missing or worn parts and loose bolts before each towing trip.** Be sure to use Loctite® Red on all bolts and tighten to the recommended specifications.
3. **It is the owner's responsibility to hook up all towing equipment per manufacturer's instructions/recommendations.**
4. Remove the attachment tabs when not in use (if applicable).

## Notice To Baseplate Installer

### 1. It is YOUR responsibility to watch for:

- Oil cooler and air conditioner lines
- Electrical wires and hoses
- Missing parts or attaching points on the frame

\*\* If the baseplate is improperly installed and is against a wire or hose, it could cause fluid leaks or electrical shorts some time after the actual baseplate installation.

## Permanent Baseplate Safety Cable Installation

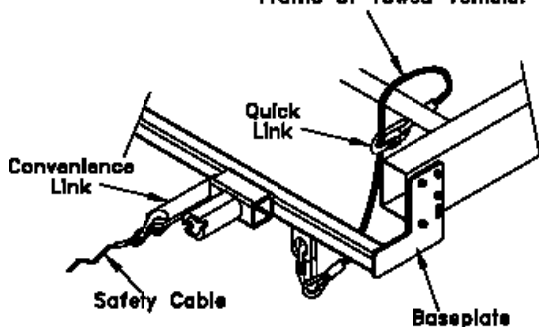
Permanent baseplate safety cables are strongly recommended when towing a vehicle with a tow bar. The principle function of the permanent baseplate safety cables is to prevent the towed vehicle from breaking loose in the event the connection between the frame of the towed vehicle and the baseplate fails or becomes disconnected. The cables must be connected from the baseplate to the frame rail or cross member of the vehicle's frame. The illustrations below show the possible arrangements recommended by Blue Ox®. Each permanent baseplate safety cable must have an adequate weight rating for the towing system. The weight rating of the two (2) cables together will not qualify.

***Do not mount the permanent baseplate safety cables against wires, hoses or brake lines.***

These permanent baseplate safety cables should remain installed as long as the baseplate is installed on the vehicle. Permanent baseplate safety cables are to be used in conjunction with, and NOT a replacement for legally required safety cables attaching the towed vehicle to the towing vehicle.

### OPTION #1

Permanent Baseplate Safety Cables to Cross Member or Frame of Towed Vehicle.



### OPTION #2

Permanent Baseplate Safety Cables to Cross Member or Frame of Towed Vehicle.

