



Strong As An Ox™

## **BX2146 Installation Instructions**

**1997-02 Ford F-150 Pickup (With Standard Tow Hooks)(4WD)**

**1997-02 Ford Expedition (With Standard Tow Hooks)**

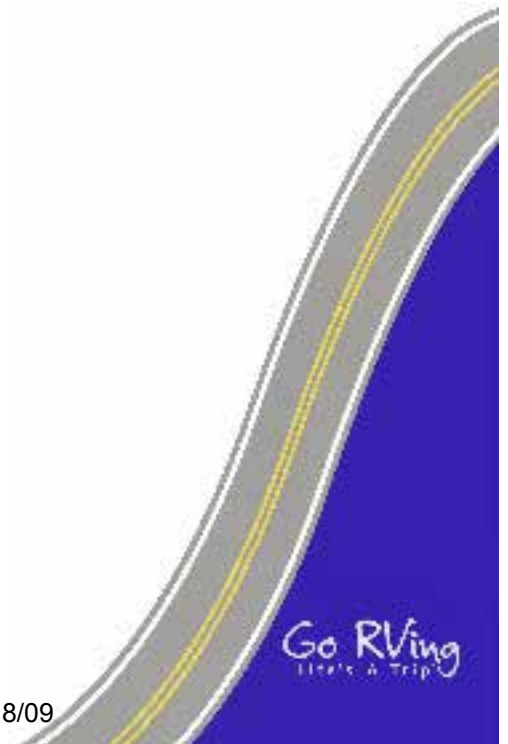
**2001-02 Ford F-150 Super Cab, 2/ 4WD(With Standard Tow Hooks)**

**2003 Ford F-150 Super Cab/ Crew, 4WD(With Standard Tow Hooks)**

**1998 Ford F-250(Not Super Duty)**

The baseplate mounts to the tow hooks using four bolts provided in the baseplate. Because of the variation of weights for the trucks being close to or over 5,000 lbs. , this baseplate is designed for a Class IV rated tow bar only. A car mounted tow bar will not work with this baseplate.

1. Hold the baseplate (Item 1) up to the bottom of the tow hooks so the inserts fit inside the tow hooks on the truck. NOTE: It may be necessary to loosen and adjust the tow hooks so the inserts fit. Tighten tow hook bolts after adjusting.
2. Place the top plates (Item 2) over each tow hook and thread the 7/16" bolts into the top plates as shown in the diagram. Be sure to use Loctite on each bolt.
3. Once all four bolts are started into the top plates, tighten and torque according to the Torque Chart in the General Instruction Sheet.
4. Do not substitute other devices if the tow bar pin and clip are lost
5. Install the tow bar and safety cables according to the instructions included in their packages.
6. DEALER OR INSTALLER: BE CERTAIN THE USER RECEIVES THE INSTRUCTION SHEET.



# Tools Required

16MM Wrench  
17MM Wrench  
Rivet Gun

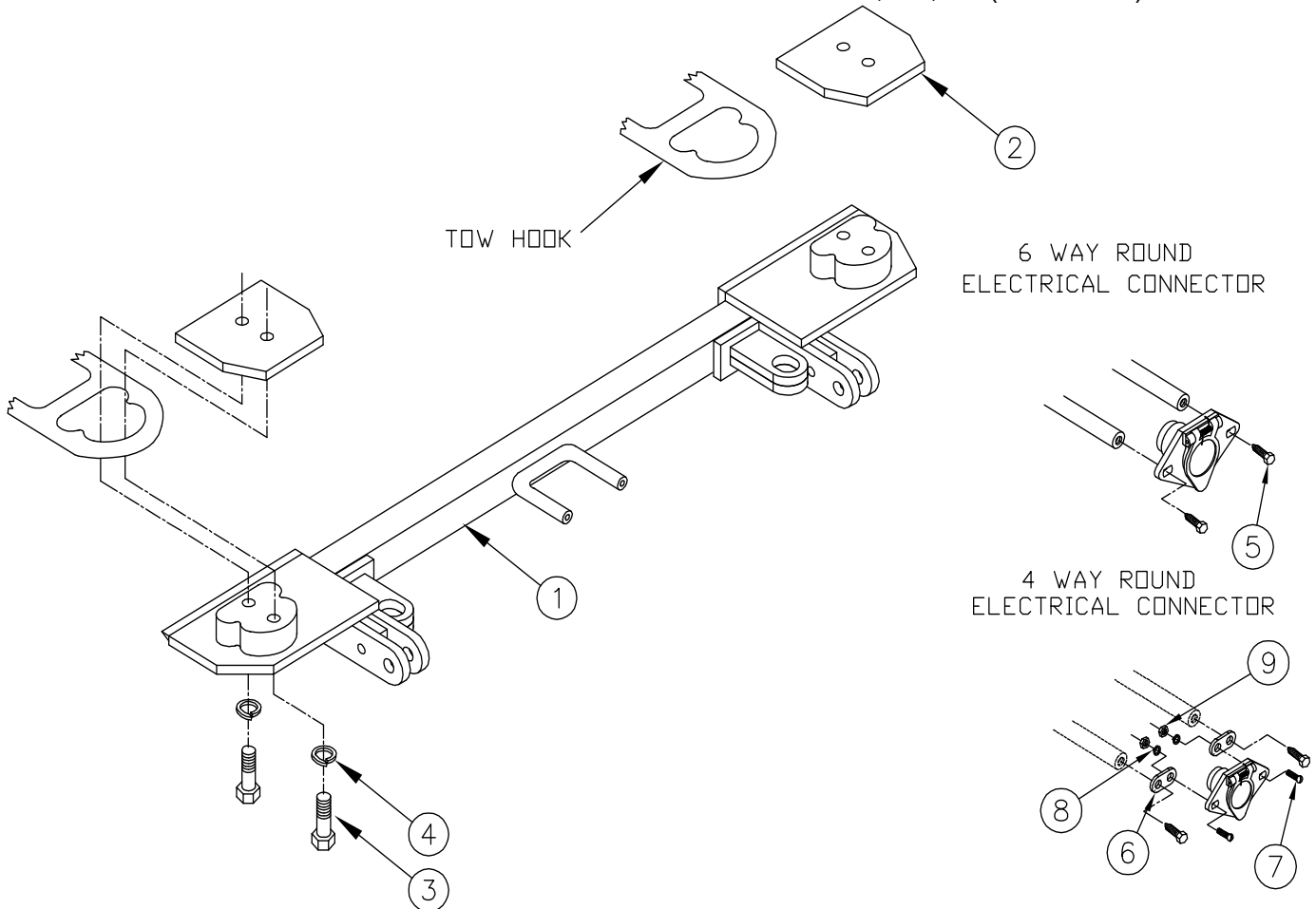
Flathead Screwdriver  
9/16" Wrench

Loctite  
18MM Wrench

3/4" Wrench  
Plastic Pop

## Parts List

Ref. No.	Qty.	Part No.	Description
1	1	61-5328	Baseplate, BX2146
2	2	102-5725	Top Plate, BX2146
3	4	201-0552	7/16-14 x 2 Hex Head Bolt, Grade 5
4	4	203-0011	7/16" Lock Washer
5	2	201-0979	#12-14 x 1" Self Drilling Screw, ZP
6	2	101-5822	Adapter, Four Way Electrical Connector
7	2	201-0192	#10 - 32 x 1/2" Slotted Screw
8	2	203-0054	#10 Lock Washer
9	2	202-0047	#10 Hex Nut
	2	226-0049	Baseplate Safety Cable, 36" CL IV (Not S)
	4	229-0512	Quicklink, 1/2, ZP (Not Shown)



# General Information

1. Ensure that your product(s) are registered online at [www.blueox.com](http://www.blueox.com). It is crucial to register your product(s) so that you may be alerted of product offerings, updates, upgrades, maintenance and safety bulletins, and/or recalls.
2. **It is the owner's responsibility to inspect all towing equipment for cracked welds, missing or worn parts and loose bolts before each towing trip.** Be sure to use Loctite® Red on all bolts and tighten to the recommended specifications.
3. **It is the owner's responsibility to hook up all towing equipment per manufacturer's instructions/recommendations.**
4. Remove the attachment tabs when not in use (if applicable).

## Notice To Baseplate Installer

1. **It is YOUR responsibility to watch for:**

- Oil cooler and air conditioner lines
- Electrical wires and hoses
- Missing parts or attaching points on the frame

\*\* If the baseplate is improperly installed and is against a wire or hose, it could cause fluid leaks or electrical shorts some time after the actual baseplate installation.

## Permanent Baseplate Safety Cable Installation

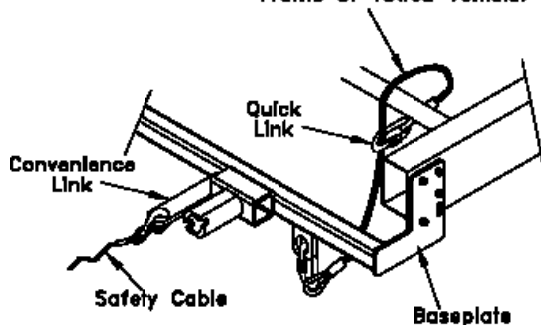
Permanent baseplate safety cables are strongly recommended when towing a vehicle with a tow bar. The principle function of the permanent baseplate safety cables is to prevent the towed vehicle from breaking loose in the event the connection between the frame of the towed vehicle and the baseplate fails or becomes disconnected. The cables must be connected from the baseplate to the frame rail or cross member of the vehicle's frame. The illustrations below show the possible arrangements recommended by Blue Ox®. Each permanent baseplate safety cable must have an adequate weight rating for the towing system. The weight rating of the two (2) cables together will not qualify.

***Do not mount the permanent baseplate safety cables against wires, hoses or brake lines.***

These permanent baseplate safety cables should remain installed as long as the baseplate is installed on the vehicle. Permanent baseplate safety cables are to be used in conjunction with, and NOT a replacement for legally required safety cables attaching the towed vehicle to the towing vehicle.

### OPTION #1

Permanent Baseplate Safety Cables to Cross Member or Frame of Towed Vehicle.



### OPTION #2

Permanent Baseplate Safety Cables to Cross Member or Frame of Towed Vehicle.

